

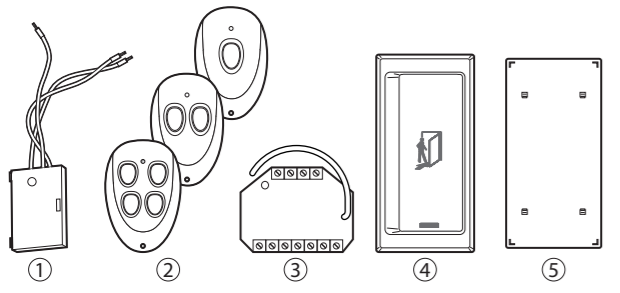
GEZE Automatic Wireless Program

EN Mounting and service instructions

132674-04



1 Automatic wireless program



- 1 Wireless transmitter module WTM (Id. No. 131212)
- 2 Wireless transmitter hand-held WTH-1 (Id. No. 131209)
- 2 Wireless transmitter hand-held WTH-2 (Id. No. 131210)
- 3 Wireless transmitter hand-held WTH-4 (Id. No. 131211)
- 4 Elbow switch KFT, white (Id. No. 114078), stainless steel (Id. No. 114077)
- 5 Back plate for the elbow switch KFT, white (Id. No. 131219), stainless steel (Id. No. 131220)

2 Function description

Depending on the operating mode at the wireless receiver module, the following two commands are possible:

2.1 Pulse command

- ▶ Press the corresponding button briefly (< 2 seconds).
 - The door opens and closes in accordance with the set hold-open times.

2.2 Continuous command

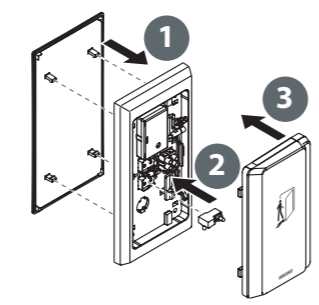
- ▶ Press the corresponding button long (> 2 seconds).
 - The door opens and remains open.
- ▶ To close the door press the corresponding button again. If the door is controlled by means of the continuous command and remains open for a longer period, the message 37, 38, 39 or 40 "Controlling longer than 4 min" may be displayed on the program switch.

3 Mounting / Connection

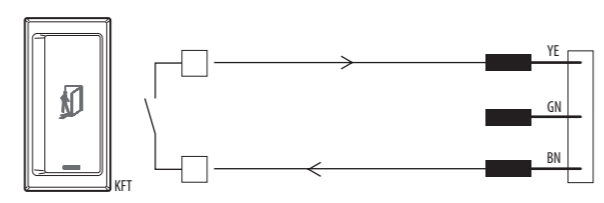
3.1 Connecting the wireless transmitter



Wireless transmitter hand-held with wall holder

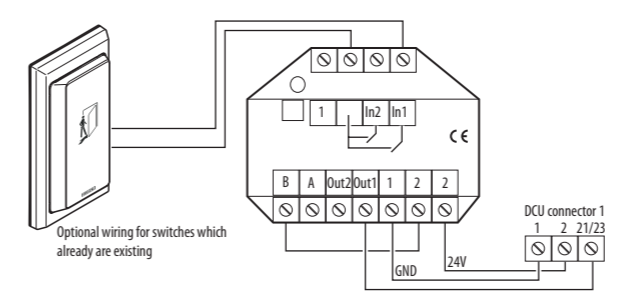


Installation of the wireless transmitter module WTM in the elbow switch KFT

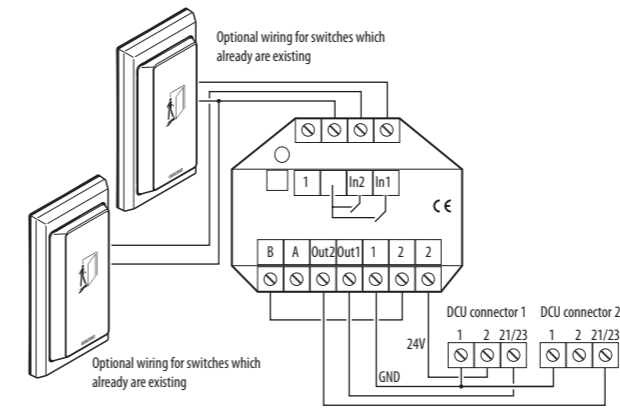


Connection of the wireless transmitter module WTM in the elbow switch KFT

3.2 Connecting the wireless receiver module



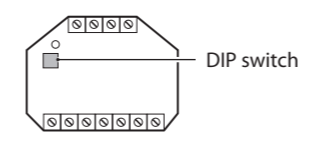
1-channel connection of the wireless receiver module WRM-24, e.g. to a door



2-channel connection of the wireless receiver module WRM-24, e.g. to two doors (same electric circuit) or two entrances at one door

3.3 Wireless receiver module operating mode

! The operating mode is set by means of the DIP switch at the wireless receiver module that has to be set correctly before initial commissioning.

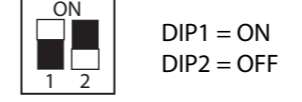


DIP switch at the wireless receiver module WRM-24

Pulsed operation* (see 2.1):



Pulsed and continuous operation (see 2.2):

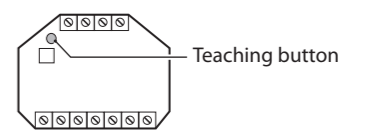


* Factory setting

4 Commissioning

4.1 Teaching wireless transmitters at a 1-channel connection

For safety reasons, the wireless transmitter can only be taught during the first 5 minutes after the operating voltage has been switched on at the drive.



Teaching button at the wireless receiver module WRM-24

- ▶ Press the teaching button at the wireless receiver module for approx. 1 second in order to activate teaching.
 - The wireless receiver module beeps 1 x briefly every 3 seconds.
 - The memory for the first channel is selected.
- ▶ Press the corresponding button at the wireless transmitter briefly within 30 seconds.
 - The wireless receiver module beeps 1 x long as confirmation.
 - The wireless transmitter has been taught successfully and terminates the teaching mode automatically.

If further wireless transmitters are to be taught, repeat steps.

4.2 Teaching wireless transmitters at a 2-channel connection

In order to teach the wireless transmitter on the first channel, steps from Section 4.1 are to be carried out. The second channel is taught as follows:

- ▶ Press the teaching button at the wireless receiver module for approx. 1 second.
 - The wireless receiver module beeps 1 x briefly every 3 seconds.
- ▶ Press the teaching button again for approx. 1 second.
 - The wireless receiver module beeps 2 x briefly every 3 seconds.
 - The memory for the second channel is selected.
- ▶ Press the corresponding button at the wireless transmitter briefly within 30 seconds.
 - The wireless receiver module beeps 1 x long as confirmation.
 - The wireless receiver module has been taught successfully and terminates teaching mode automatically.

If further wireless transmitters are to be taught, repeat steps of Section 4.1 and / or Section 4.2.

A maximum of 85 wireless transmitters can be taught per wireless receiver module. If more than 85 wireless transmitters are to be taught, additional wireless receiver modules are to be connected.

4.3 Deleting wireless transmitters

For safety reasons, the wireless transmitter can only be deleted during the first 5 minutes after the operating voltage has been switched on.

- ▶ Press the teaching button at the wireless receiver module for approx. 10 seconds.
 - The wireless receiver module beeps 1 x long as confirmation.
 - All the taught wireless transmitter have been deleted successfully from the memory.

Taught wireless transmitters can only be overwritten. If a taught wireless transmitter is to be deleted, all the taught wireless transmitters have to be deleted.

5 Maintenance / Battery change

5.1 Wireless transmitter hand-held

The battery durable life is designed for approx. 300,000 operations.

When the battery power declines, the LED begins to flash during operation. The battery should then be replaced by a new A232 battery (Id. No. 131217).

5.2 Wireless transmitter module

The battery durable life is designed for approx. 50,000 operations.

When the battery power declines, the LED begins to flash during operation. The battery should then be replaced by a new CR 2032 battery (Id. No. 131218).

6 Technical data

Frequency:	433.952 MHz
Security:	Rolling code
Range:	approx. 30 m
Power supply:	WTH: 12 V, A232 battery, 45 mA
	WTM: 3 V, CR 2032 battery, 150 mA
	WRM-24: 24 V, 12.5 mA (power consumption during standby)
Relay contact:	WRM-24: 2 outputs 100 mA, 48 V
Dimensions (W x H x D):	WTH: 78 x 51 x 23 mm
	WTM: 44 x 30 x 11 mm
	WRM-24: 52 x 47 x 23 mm
Degree of protection:	WTH: IP 54
	WTM: IP 20
	WRM-24 IP 20
Storage temperature:	-20 to +85 °C
Operating temperature:	0 to +50 °C
Humidity:	max. 95%, non-condensing

7 Declaration of conformity

GEZE herewith states that the

- Wireless transmitting module WTM
- Hand-held transmitter WTH-1 / WTH-2 / WTH-4
- Receiving module WRM-24

corresponds to Directive 2014/53/EU. The complete text of the EU Declaration of Conformity is available at the following internet address: www.geze.com

Germany
GEZE Sonderkonstruktionen GmbH
Planken 1
97944 Boxberg-Schweigern
Tel. +49 (0) 7930 9294 0
Fax +49 (0) 7930 9294 10
E-Mail: sk.de@geze.com
GEZE GmbH
Niederlassung Süd-West
Tel. +49 (0) 7152 203 594
E-Mail: leonberg.de@geze.com
GEZE GmbH
Niederlassung Süd-Ost
Tel. +49 (0) 7152 203 6440
E-Mail: muenchen.de@geze.com
GEZE GmbH
Niederlassung Ost
Tel. +49 (0) 7152 203 6840
E-Mail: berlin.de@geze.com
GEZE GmbH
Niederlassung Mitte/Luxemburg
Tel. +49 (0) 7152 203 6888
E-Mail: frankfurt.de@geze.com
GEZE GmbH
Niederlassung West
Tel. +49 (0) 7152 203 6770
E-Mail: essen.de@geze.com
GEZE GmbH
Niederlassung Nord
Tel. +49 (0) 7152 203 6600
E-Mail: hamburg.de@geze.com
GEZE Service GmbH
Tel. +49 (0) 1802 923392
E-Mail: service-info.de@geze.com

Austria
GEZE Austria
E-Mail: austria.at@geze.com
www.geze.at

Baltic States
GEZE GmbH Baltic States office
E-Mail: office-latvia@geze.com
www.geze.com

Benelux
GEZE Benelux B.V.
E-Mail: benelux.nl@geze.com
www.geze.be
www.geze.nl

Bulgaria
GEZE Bulgaria - Trade
E-Mail: office-bulgaria@geze.com
www.geze.bg

China
GEZE Industries (Tianjin) Co., Ltd.
E-Mail: chinasales@geze.com.cn
www.geze.com.cn

GEZE Industries (Tianjin) Co., Ltd.
Branch Office Shanghai
E-Mail: chinasales@geze.com.cn
www.geze.com.cn

GEZE Industries (Tianjin) Co., Ltd.
Branch Office Guangzhou
E-Mail: chinasales@geze.com.cn
www.geze.com.cn

GEZE Industries (Tianjin) Co., Ltd.
Branch Office Beijing
E-Mail: chinasales@geze.com.cn
www.geze.com.cn

France
GEZE France S.A.R.L.
E-Mail: france.fr@geze.com
www.geze.fr

Hungary
GEZE Hungary Kft.
E-Mail: office-hungary@geze.com
www.geze.hu

Iberia
GEZE Iberia S.R.L.
E-Mail: info@geze.es
www.geze.es

India
GEZE India Private Ltd.
E-Mail: office-india@geze.com
www.geze.in

Italy
GEZE Italia S.r.l.
E-Mail: italia.it@geze.com
www.geze.it

GEZE Engineering Roma S.r.l.
E-Mail: roma@geze.biz
www.geze.it

Poland
GEZE Polska Sp.z o.o.
E-Mail: geze.pl@geze.com
www.geze.pl

Romania
GEZE Romania S.R.L.
E-Mail: office-romania@geze.com
www.geze.ro

Russia
OOO GEZE RUS
E-Mail: office-russia@geze.com
www.geze.ru

Scandinavia – Sweden
GEZE Scandinavia AB
E-Mail: sverige.se@geze.com
www.geze.se

Scandinavia – Norway
GEZE Scandinavia AB a.v.d. Norge
E-Mail: norge.se@geze.com
www.geze.no

Scandinavia – Denmark
GEZE Danmark
E-Mail: danmark.se@geze.com
www.geze.dk

Singapore
GEZE (Asia Pacific) Pte. Ltd.
E-Mail: gezeasia@geze.com.sg
www.geze.com

South Africa
GEZE Distributors (Pty) Ltd.
E-Mail: info@gezesasa.co.za
www.geze.co.za

Switzerland
GEZE Schweiz AG
E-Mail: schweiz.ch@geze.com
www.geze.ch

Turkey
GEZE Kapsı ve Pencere Sistemleri
E-Mail: office-turkey@geze.com
www.geze.com

Ukraine
GEZE Ukraine TOV
E-Mail: office-ukraine@geze.com
www.geze.ua

United Arab Emirates/GCC
GEZE Middle East
E-Mail: gezeme@geze.com
www.geze.ae

United Kingdom
GEZE UK Ltd.
E-Mail: info.uk@geze.com
www.geze.com

GEZE GmbH
Reinhold-Vöster-Straße 21–29
71229 Leonberg
Germany
Tel.: 0049 7152 203 0
Fax: 0049 7152 203 310
www.geze.com

