



SWING DOOR

Integrated door closers

Contents

Overview	04
FOR SINGLE LEAF DOORS	
Boxer	08
Boxer E with electric hold-open device	14
Boxer P for double-action doors	18
FOR SINGLE LEAF DOORS WITH FREE SWING FUNCTION	
Boxer EFS 4-6	24
FOR DOUBLE LEAF DOORS	
Boxer ISM with integrated closing sequence control	30
Boxer E-ISM with electric hold-open device	35
FOR DOUBLE LEAF DOORS WITH FREE SWING FUNCTION	
Boxer ISM-EFS with electric free swing function on the active leaf	42
BOXER PIVOT BEARING	
Integrated pivot bearing for opening restriction or holding open doors without a door closer	50
ACCESSORIES	
RSZ 7 smoke switch control unit	56
FURTHER INFORMATION	
Product information for door closers	60

OVERVIEW TABLE OF INTEGRATED DOOR CLOSERS

For single leaf doors

	Boxer size 2-4 / 2-4 2 V	Boxer size 3-6	Boxer E size 2-4	Boxer E size 3-6	Boxer EFS	Boxer P
Approval for fire and smoke protection doors ¹	●	●	●	●	●	●
Barrier-free in accordance with DIN 18040 up to leaf width (max.) in mm	EN4 1100	EN4 1100	FSA	FSA	FSA FL	EN4 1100
Closing force acc. to EN 1154	2-4	3-6	2-4	3-6	4-6	2-4
Door leaf width (max.) in mm	1100	1400	1100	1400	1400	1100
Leaf weight (max.) in kg	130	180	130	180	180	80

POSSIBLE APPLICATIONS

Closer body integrated in the door leaf	●	●	●	●	●	●
Guide rail integrated in the door frame	●	●	●	●	●	●
Opening angle (max.)	120°	120°	120°	120°	120°	120°

FUNCTIONS

Closing force, adjustable	●	●	●	●	●	●
Back check, adjustable	●	●	●	●	●	●
Latching action, adjustable	●	●	●	●	●	●
Closing speed, adjustable	●	●	●	●	●	●
Mechanical hold-open device ²	●	●				●
Electric hold-open device			●	●		
Electric hold-open device for free swing					●	
Mechanical closing sequence control, integrated						
Flexible opening restrictor			●	●	●	

● = yes | 1 An additional suitability certificate is required with the door for fire and smoke protection doors. | 2 Can be retrofitted, not to fire and smoke protection doors | FSA = Hold-open device | FSA FL = Hold-open device with free swing

OVERVIEW TABLE OF INTEGRATED DOOR CLOSERS**For double leaf doors**

	Boxer ISM	Boxer E-ISM	Boxer ISM-EFS
Approval for fire and smoke protection doors ¹	●	●	●
Barrier-free in accordance with DIN 18040 up to leaf width (max.) in mm	EN4 1100	FSA	FSA FL
Closing force acc. to EN 1154	2-4/3-6	2-4/3-6	4-6/3-6 (2-4)
Door leaf width (max.) in mm	1100/1400	1100/1400	1400/1400 (1100)
Leaf weight (max.) in kg	130/180	130/180	180/180 (130)

POSSIBLE APPLICATIONS

Closer body integrated in the door leaf	●	●	●
Guide rail integrated in the door frame	●	●	●
Opening angle (max.)	120°	120°	120°

FUNCTIONS

Closing force, adjustable	●	●	●
Back check, adjustable	●	●	●
Latching action, adjustable	●	●	●
Closing speed, adjustable	●	●	●
Mechanical hold-open device ²	●		
Electric hold-open device		●	
Electric hold-open device for free swing			●
Mechanical closing sequence control, integrated	●	●	●
Flexible opening restrictor	●	●	●

● = yes | ¹ An additional suitability certificate is required with the door for fire and smoke protection doors. | ² Can be retrofitted, not to fire and smoke protection doors | FSA = Hold-open device | FSA FL = Hold-open device with free swing



SWING DOOR

For single leaf doors

Comfort with safety – that is what integrated door closers from GEZE offer. They close your swing doors gently and quietly, and brake the door's swing due to their back check function. You can always count on GEZE Boxer solutions for single leaf swing doors. You determine the closing speed. You can count on the highest level of safety with all integrated door closers.



Boxer



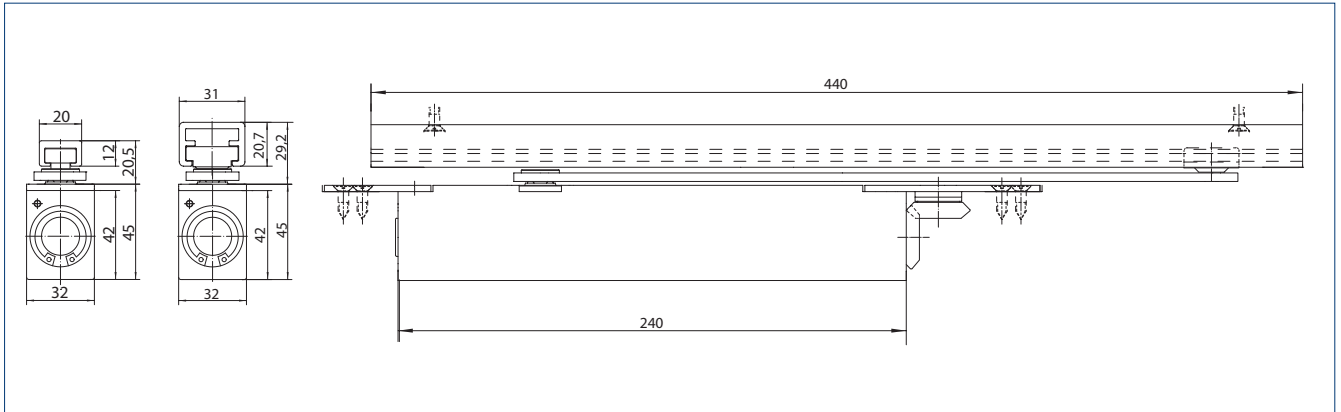
Integrated door closer for single leaf doors
up to 1400 mm leaf width

AREAS OF APPLICATION

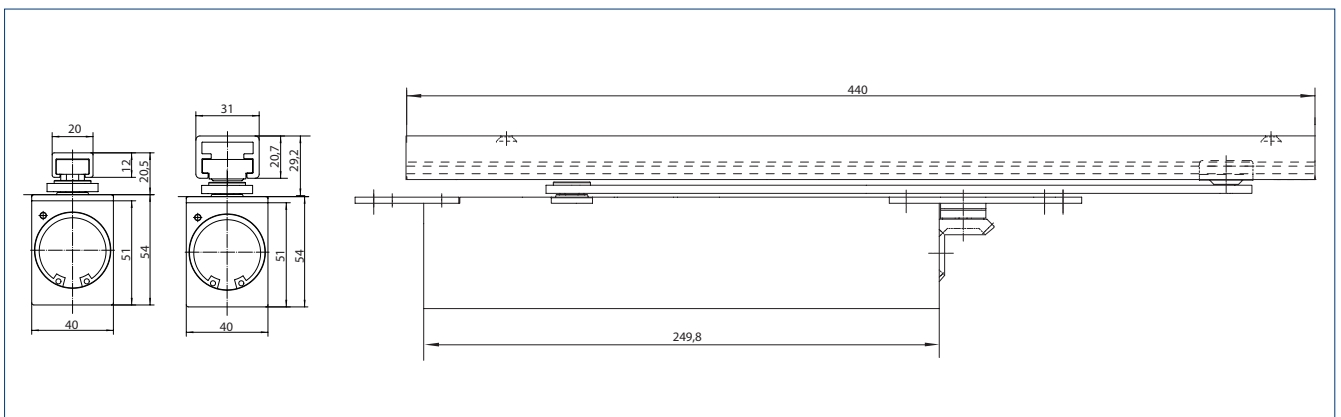
- Fire and smoke protection doors, proof of suitability for the door required
- Right and left single-action doors
- Single-action doors up to 1400 mm leaf width, for door weights up to 180 kg
- For door leaf thicknesses from 40 mm
- Integrated installation

PRODUCT FEATURES

- Closing force of EN2-4 or EN3-6 with variable adjustment
- Can be used for right and left hand doors without conversion
- Door closer is embedded in door leaf and frame and fulfils maximum design demands
- Integrated back check, slows down doors that are thrown open forcefully
- Hydraulic latching action which accelerates the door shortly before the closed position
- Closing speed can be individually adjusted
- All functions can be adjusted when installed

PRODUCT SCALE DRAWING


Closing force 2-4



Closing force 3-6

TECHNICAL DATA FOR DOOR CLOSER

	Boxer 2-4 door closer	Boxer 2-4 2V door closer	Boxer 3-6 door closer
PRODUCT FEATURES			
Closing force acc. to EN 1154	2 – 4	2 – 4	3 – 6
Leaf width recommended up to	1100 mm	1100 mm	1400 mm
Recommended leaf weight of up to	130 kg	130 kg	180 kg
Minimum leaf thickness	40 mm	40 mm	50 mm
Identical design for DIN left and DIN right	●	●	●
Statements of approval	Door closer tested acc. to EN 1154		
Length	286 mm	286 mm	293 mm
Overall depth	32 mm	32 mm	40 mm
Height	45 mm	45 mm	54 mm
FUNCTIONS			
Closing force adjustable	Yes, with variable adjustment		
Closing speed adjustable	●		
Latching action adjustable	Yes, via valve		
Back check integrated	Yes, hydraulically adjustable		
Position of closing force adjustment	top		
Safety valve to prevent intentional damage	●		
Valve control for regulating the latching action speed	-	●	-

● = yes | ○ = optional

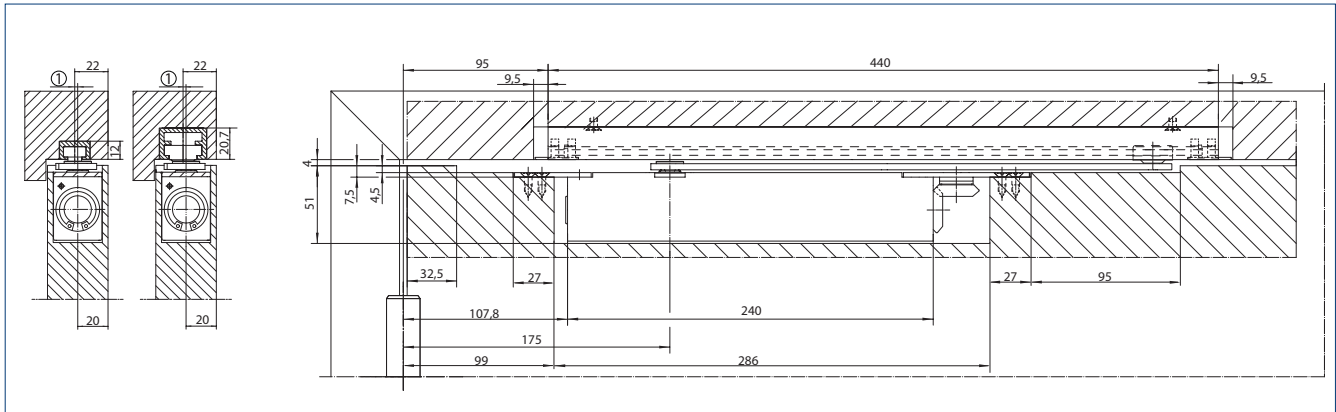
TECHNICAL DATA FOR GUIDE RAIL

	Guide rail Boxer 12 mm	Guide rail Boxer 20.7 mm
PRODUCT FEATURES		
Use on single / double-action door		Single-action door
Length		440 mm
Overall depth	20 mm	31 mm
Height	12 mm	20.7 mm
FUNCTIONS		
Opening restrictor integrated		-
Holding open		○

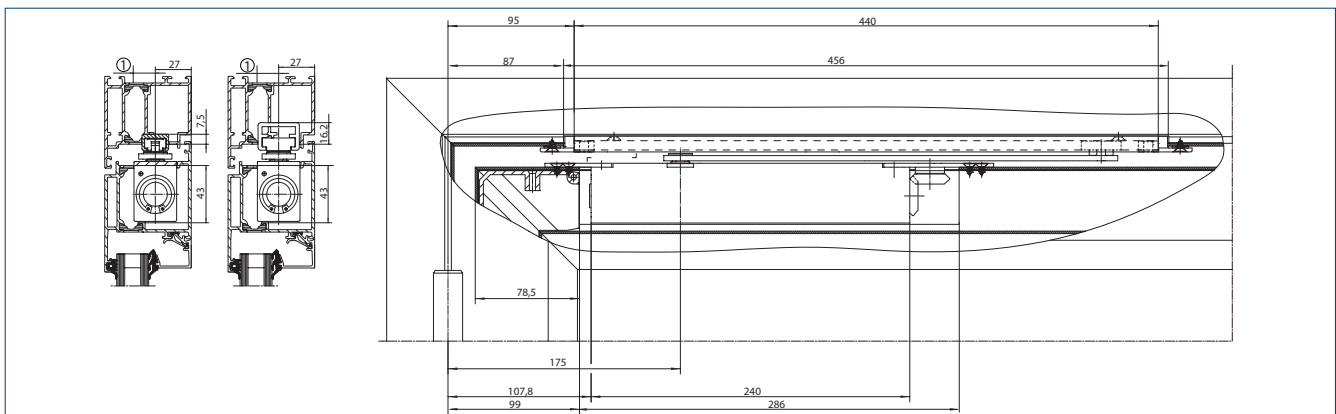
● = yes | ○ = optional

INSTALLATION DRAWINGS

BOXER SIZE 2-4

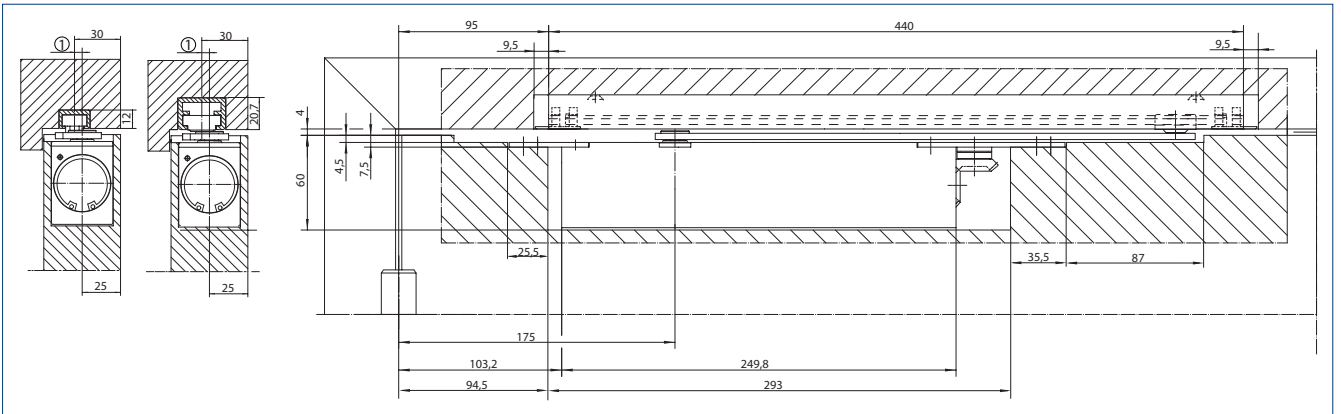


Installation on timber door | 1 = guide rail offset max. 10 mm

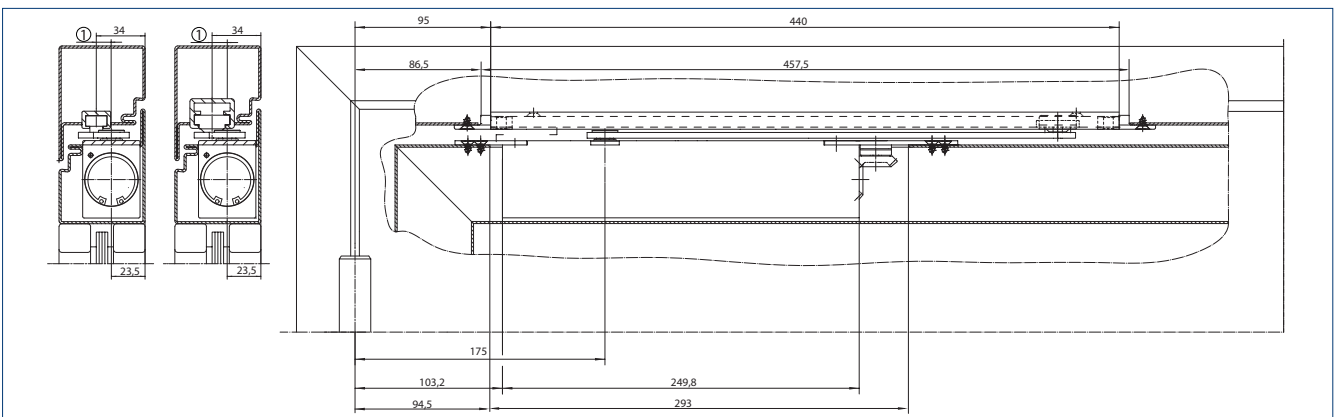


Installation on metal door | 1 = guide rail offset max. 10 mm

BOXER SIZE 3-6



Installation on timber door | 1 = guide rail offset max. 10 mm



Installation on metal door | 1 = guide rail offset max. 10 mm

BOXER – ORDER INFORMATION

Designation	Spindle extension	Version	ID no.
Boxer 2-4 door closer closing force EN 2-4 with back check (without guide rail)	0 mm		099728
	4 mm		101759
Boxer 2-4 2V door closer closing force EN 2-4 with back check and independent latching action valve (smooth latching function also possible, without guide rail)	0 mm		134448
	4 mm		134493
	8 mm		134494
Boxer 3-6 door closer closing force EN 3-6 with back check (without guide rail)	0 mm		099735
	4 mm		101761
	8 mm		101762
Guide rail Boxer 12 mm with lever, overall height 12 mm		silver-coloured	129213
		acc. to RAL ¹	135732
Guide rail Boxer 12 mm with tapered lever, overall height 12 mm		silver-coloured	184365
		acc. to RAL ¹	135732
Guide rail Boxer 20.7 mm with lever, overall height 20.7 mm		silver-coloured	112161
		acc. to RAL ¹	135689
Guide rail Boxer 20.7 mm with lever and mechanical hold-open device, overall height 20.7 mm		silver-coloured	095141
		acc. to RAL ¹	135689

ACCESSORIES

Mechanical hold-open device for standard/T-Stop/Boxer 20.7 mm guide rail, retention force adjustable, can be switched on and off, can be overridden			071924
Mechanical hold open unit for Boxer 12 mm guide rail, retention force adjustable, cannot be overridden			129145
Flexible opening restriction for lightweight doors for riveted guide rails, standard guide rail BG and guide rail Boxer 20.7 mm			069780
Flexible opening restriction for lightweight doors for guide rail Boxer 12 mm			129343

¹ surcharge for RAL special colours, see General Notes in the price list.



MST Medisch Spectrum Twente, Enschede, Benelux (photo: Erwin Kamphuis)

Boxer E



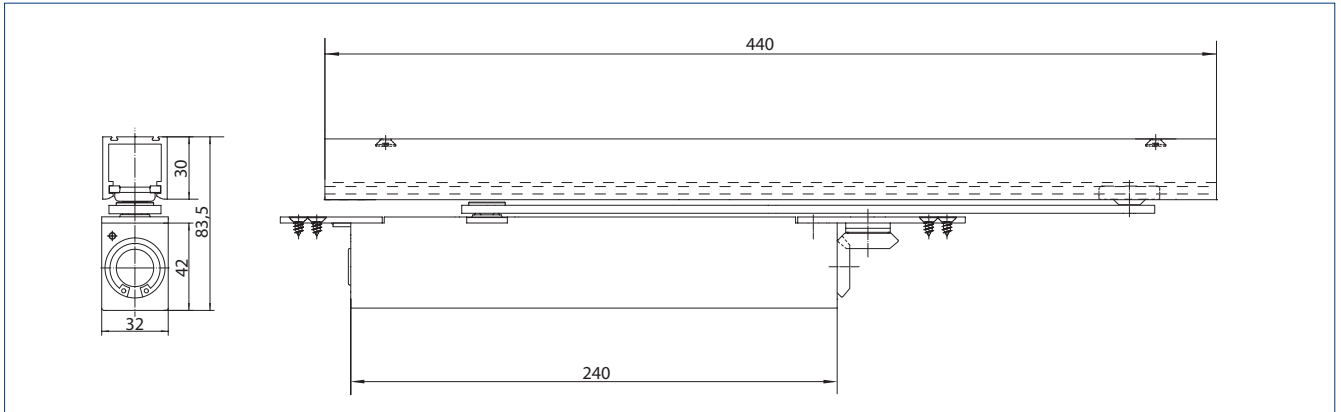
Integrated door closer for single leaf doors with a leaf width of up to 1400 mm with electric hold-open device

AREAS OF APPLICATION

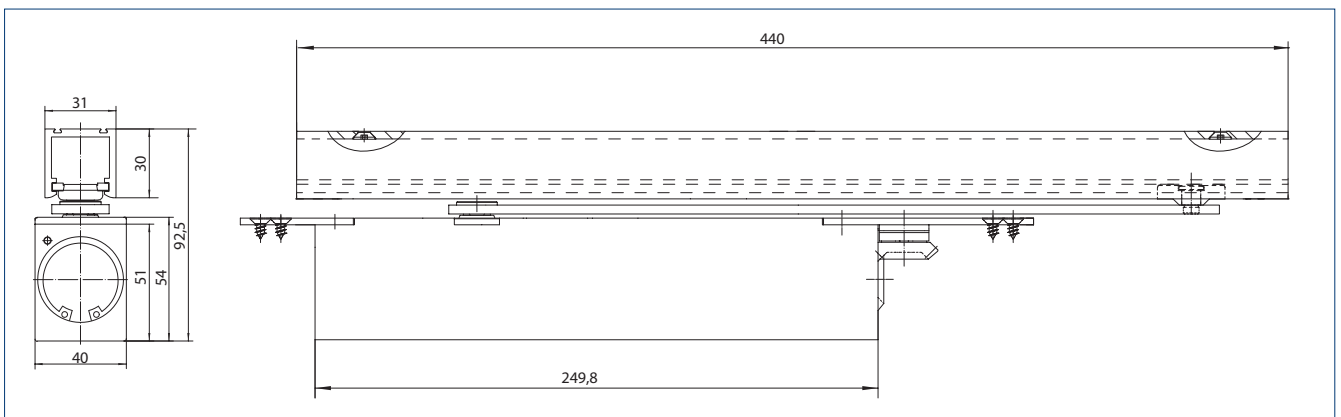
- Fire and smoke protection doors, proof of suitability for the door required
- Right and left single-action doors
- Single-action doors up to 1400 mm leaf width, for door weights up to 180 kg
- For door leaf thicknesses from 40 mm
- Integrated installation
- Hold-open systems with integrated hold-open function

PRODUCT FEATURES

- Closing force of EN2-4 or EN3-6 with variable adjustment
- Can be used for right and left hand doors without conversion
- Door closer is embedded in door leaf and frame and fulfils maximum design demands
- Electric hold-open device in the guide rail with hold-open area of 80°-120°
- Retention force of the hold-open function with variable adjustment
- Smoke switch control unit can be connected, with a signal that closes the door automatically in the event of a fire
- Integrated back check, slows down doors that are thrown open forcefully
- Hydraulic latching action which accelerates the door shortly before the closed position
- Closing speed can be individually adjusted
- All functions can be adjusted when installed

PRODUCT SCALE DRAWING


Closing force 2-4



Closing force 3-6

TECHNICAL DATA FOR DOOR CLOSER

	Boxer 2-4 door closer	Boxer 2-4 2V door closer	Boxer 3-6 door closer
PRODUCT FEATURES			
Closing force acc. to EN 1154	2 – 4	2 – 4	3 – 6
Leaf width recommended up to	1100 mm	1100 mm	1400 mm
Recommended leaf weight of up to	130 kg	130 kg	180 kg
Minimum leaf thickness	40 mm	40 mm	50 mm
Identical design for DIN left and DIN right	●		
Statements of approval	Door closer tested acc. to EN 1154		
Length	286 mm	286 mm	293 mm
Overall depth	32 mm	32 mm	40 mm
Height	45 mm	45 mm	54 mm
FUNCTIONS			
Closing force adjustable	Yes, with variable adjustment		
Closing speed adjustable	●		
Latching action adjustable	Yes, via valve		
Back check integrated	Yes, hydraulically adjustable		
Position of closing force adjustment	top		
Safety valve to prevent intentional damage	●		
Valve control for regulating the latching action speed	-	●	-

● = yes | ○ = optional

TECHNICAL DATA FOR GUIDE RAIL

E guide rail Boxer

PRODUCT FEATURES

Use on single / double-action door	Single-action door
Supply voltage	24 V DC
IP rating	IP 43
Statements of approval	Hold-open device tested acc. to EN 1155
Length	440 mm
Overall depth	31 mm
Height	30 mm

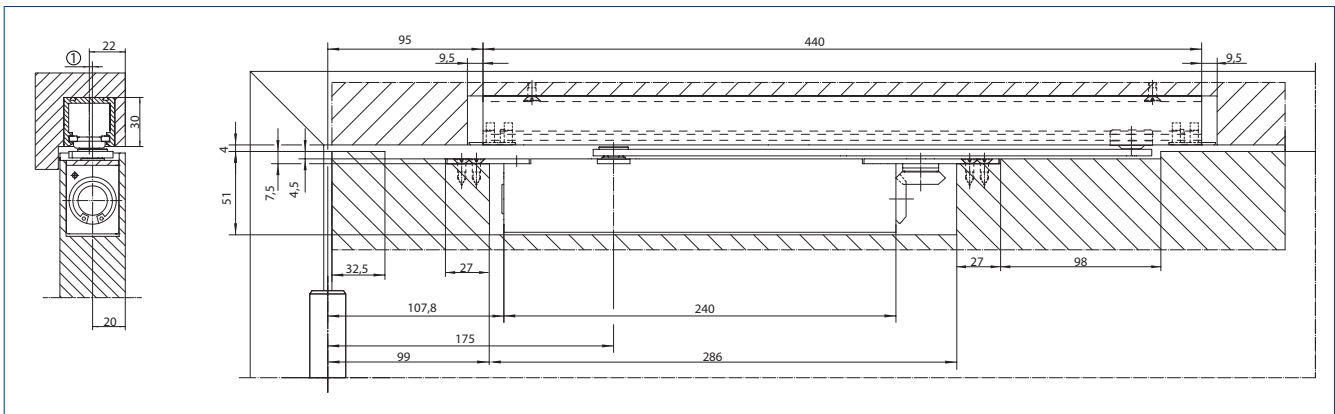
FUNCTIONS

Holding open	Electrical
Hold-open function can be switched on and off	●
Hold-open function can be overridden	●

● = yes | ○ = optional

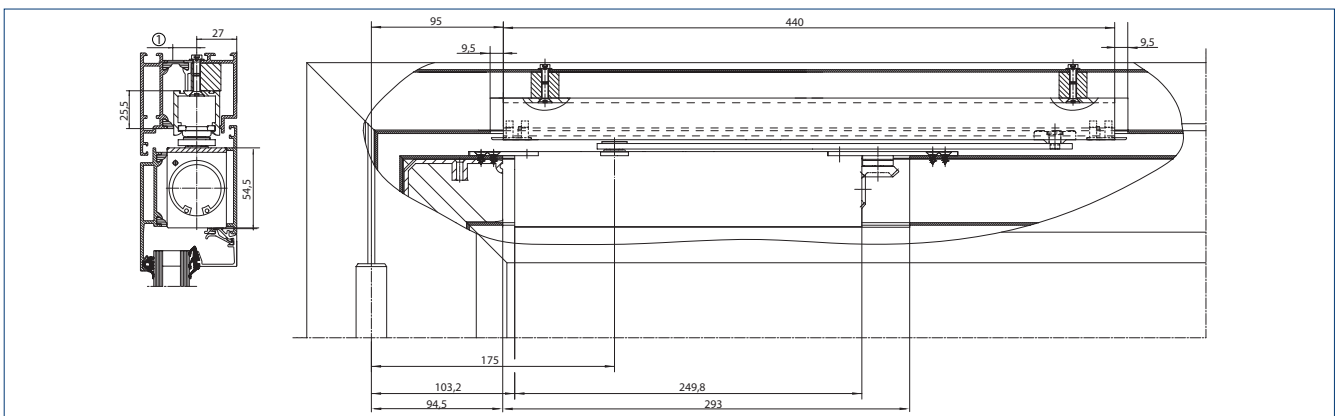
INSTALLATION DRAWINGS

BOXER E SIZE 2-4



Installation on timber door | 1 = guide rail offset max. 10 mm

BOXER E SIZE 3-6



Installation on metal door | 1 = guide rail offset max. 10 mm

BOXER E – ORDER INFORMATION

Designation	Spindle extension	Version	ID no.
Boxer 2-4 door closer	0 mm		099728
Closing force EN 2-4 with back check (without guide rail)	4 mm		101759
Boxer 2-4 2V door closer	0 mm		134448
Closing force EN 2-4 with back check and independent latching action valve (smooth latching function also available, without guide rail)	4 mm		134493
	8 mm		134494
Boxer 3-6 door closer	0 mm		099735
Closing force EN 3-6 with back check (without guide rail)	4 mm		101761
	8 mm		101762
E guide rail Boxer with lever and electric hold-open device		silver-coloured	119640
		acc. to RAL ²	135775
ACCESSORIES			
Flexible opening restrictor for guide rail 1-leaf: TS 5000 E/R/RFS (door leaf installation), Boxer E; 2-leaf: all E/R/ISM variants TS 5000 and Boxer			145311
		silver-coloured	181025
		white RAL 9016	184195
RSZ 7 smoke switch control unit Smoke switch control unit for all GEZE hold-open devices		stainless steel optic ¹	184196
		acc. to RAL ²	185231
Wireless KIT FA GC 170 Set consisting of: 1 piece GC 171 wireless module for the wireless extension of GEZE hold-open systems			195524
GC 171 wireless module for the wireless connection of wireless components (GC 172 wireless smoke detector; GC 173 wireless thermal detector; GC 175 wireless input module) on GEZE hold-open systems		anthracite	163051
GC 172 wireless smoke detector for the wireless connection to GEZE hold-open systems, battery-operated with 8 years battery lifetime, with base, tested in accordance with EN 54-7 and EN 54-25, general construction technique permit for use with all GEZE hold-open systems		white RAL 9016	195522
GC 173 wireless thermal detector for the wireless connection to GEZE hold-open systems, battery-operated with 8 years battery lifetime, with base, tested in accordance with EN 54-7 and EN 54-25, general construction technique permit for use with all GEZE hold-open systems		white RAL 9016	195523
GC 175 wireless input module for wireless connection of manual trigger switches to the GEZE GC 171 wireless module, applicable for all GEZE hold-open systems		black	163068
GC 152 smoke detector Complete with base, 24 V DC, 20 mA, tested in accordance with EN 54-7, with general official building approval for use with all GEZE hold-open systems, inte- grated line monitoring, conform with DIN EN 14637		white	139850
		acc. to RAL ²	170523
GC 153 wireless thermal detector Complete with base, 24 V DC, 20 mA, tested in accordance with EN54-5, with general official building approval for use with all GEZE hold-open systems, integrated line monitoring, conform with DIN EN 14637		white	139881
		acc. to RAL ²	170524
Manual trigger switch Flush-mounted version for the manual release of electrically controlled hold-open devices including terminating resistor for line monitoring		alpine white	116266
Manual trigger switch with glass pane and 5 interchangeable labels Flush-mounted version for the manual release of electrically controlled hold-open devices including terminating resistor for line monitoring		alpine white	120880
Surface-mounted box, single suitable for the AS 500 switch programme			120503

¹ only for dry rooms | ² surcharge for RAL special colours, see General Notes in the price list.

Boxer P



Integrated door closer for single leaf double-action doors
with a leaf width of up to 1100 mm

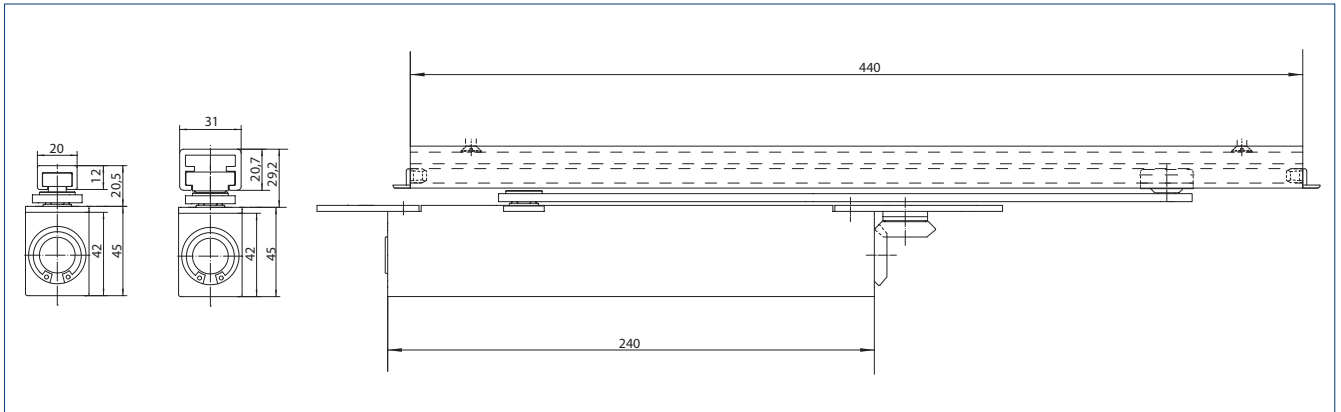
AREAS OF APPLICATION

- Fire and smoke protection doors, proof of suitability for the door required
- Right and left double-action doors
- Double-action doors up to 1100 mm leaf width and 80 kg weight
- For door leaf thicknesses from 40 mm
- Integrated installation

PRODUCT FEATURES

- Adjustable closing force of EN2-4 with variable adjustment
- Can be used for right and left hand doors without conversion
- Door closer is embedded in door leaf and frame and fulfils maximum design demands
- Integrated back check, slows down doors that are thrown open forcefully
- Hydraulic latching action which accelerates the door shortly before the closed position
- Closing speed can be individually adjusted
- All functions can be adjusted when installed

PRODUCT SCALE DRAWING



Boxer P

TECHNICAL DATA FOR DOOR CLOSER

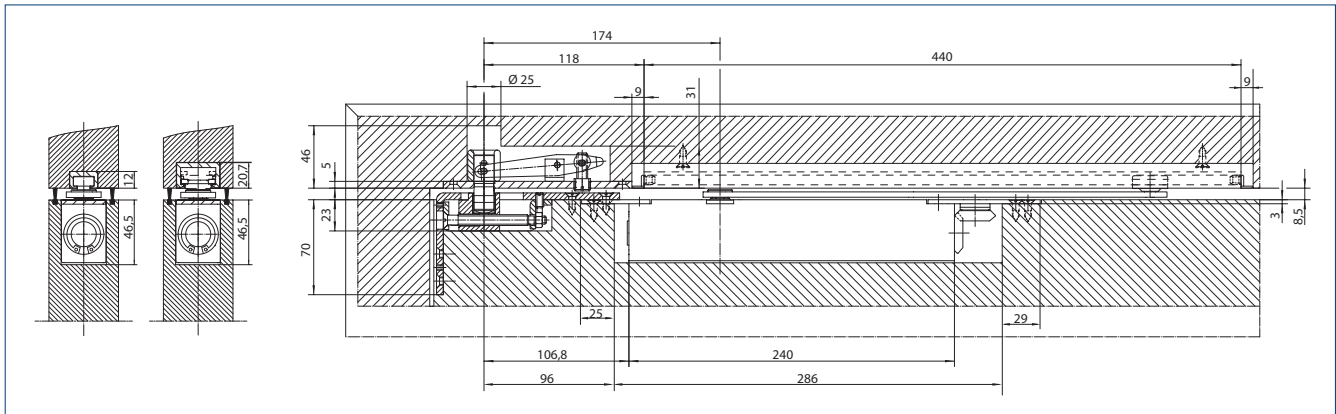
	Boxer 2-4 door closer	Boxer 2-4 2V door closer
PRODUCT FEATURES		
Closing force acc. to EN 1154		2 – 4
Leaf width recommended up to		1100 mm
Recommended leaf weight of up to		80 kg
Minimum leaf thickness		40 mm
Identical design for DIN left and DIN right		●
Statements of approval	Door closer tested acc. to EN 1154	
Length	286 mm	
Width	32 mm	
Height	45 mm	
FUNCTIONS		
Closing force adjustable	Yes, with variable adjustment	
Closing speed adjustable	●	
Latching action adjustable	Yes, via valve	
Back check integrated	Yes, hydraulically adjustable	
Position of closing force adjustment	Top	
Safety valve to prevent intentional damage	●	
● = yes ○ = optional		

TECHNICAL DATA FOR GUIDE RAIL

	Guide rail Boxer 12 mm	Guide rail Boxer 20.7 mm
PRODUCT FEATURES		
Use on single / double-action door		Double-action door
Length	440 mm	
Width	20 mm	31 mm
Height	12 mm	20.7 mm
FUNCTIONS		
Opening restrictor integrated	-	
Holding open	Optional	Mechanical
Hold-open function can be switched on and off	-	●
Hold-open function can be overridden	-	●
● = yes ○ = optional		

INSTALLATION DRAWINGS

BOXER P SIZE 2-4



Installation on timber door

BOXER P- ORDER INFORMATION

Designation	Spindle extension	Version	ID no.
Boxer 2-4 door closer	0 mm		099728
Closing force EN 2-4 with back check (without guide rail)	4 mm		101759
Boxer 2-4 2V door closer	0 mm		134448
Closing force EN 2-4 with back check and independent latching action valve (smooth latching function also available, without guide rail)	4 mm		134493
	8 mm		134494
Guide rail Boxer 12 mm with lever for double-action doors, overall height 12 mm (only Boxer 2-4)		silver-coloured	129344
		acc. to RAL ¹	135733
Guide rail Boxer 20.7 mm with lever for double-action doors with mechanical hold-open device, Overall height 20.7 mm (only Boxer 2-4)		silver-coloured	104246
		acc. to RAL ¹	135731

ACCESSORIES

Mechanical hold-open function for standard / T-Stop / Boxer 20.7 mm guide rail, retention force adjustable, can be switched on and off, can be overridden	071924
Mechanical hold-open function for Boxer 12 mm guide rail, retention force adjustable, cannot be overridden	129145
Flexible opening restriction for lightweight doors for riveted guide rail, standard guide rail BG and Boxer 20.7 mm guide rail	069780
Flexible opening restriction for lightweight doors for guide rail Boxer 12 mm	129343

¹ surcharge for RAL special colours, see General Notes in the price list.



Hotel, Berlin, Germany (photo: Stefan Dauth)



SWING DOOR

For single leaf doors with free swing function

For added comfort and safety, the integrated door closer is available with electric free swing function. It can be used to open your single leaf swing door with minimal force. The comfort latching function that locks the door at the end of its free swing area adds an extra feature to the free swing door closer. The system also fulfils discerning design requirements: The door closer is recessed into the door leaf and frame to fit perfectly in your swing door system.



Boxer EFS 4-6



Integrated door closer for single leaf doors up to 1400 mm leaf width with electric free swing function

AREAS OF APPLICATION

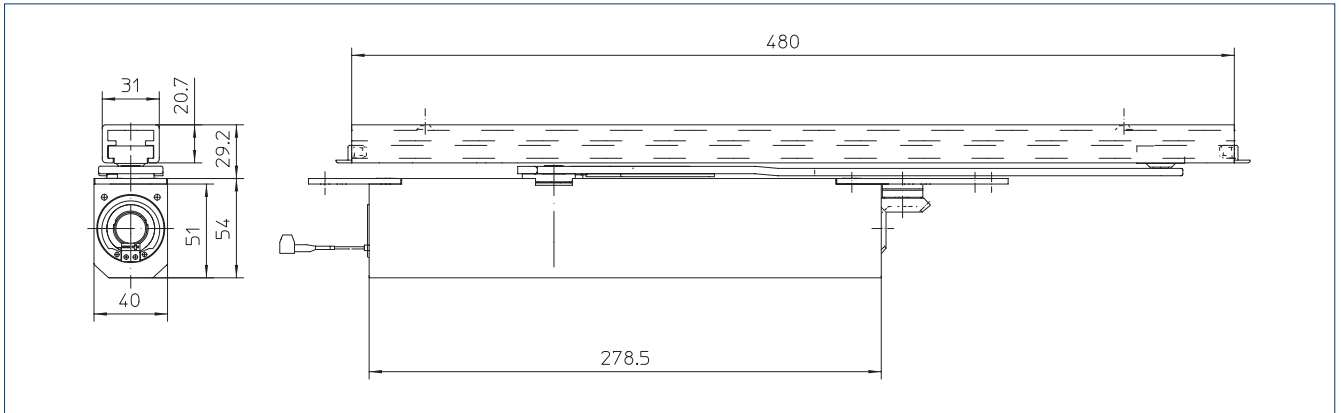
- Fire and smoke protection doors, proof of suitability for the door required
- Right and left single-action doors
- Single-action doors up to 1400 mm leaf width and 180 kg leaf weight
- Integrated installation
- Hold-open systems with integrated hold-open function with free swing
- Barrier-free access in accordance with DIN 18040

PRODUCT FEATURES

- Closing force of EN 4-6 with variable adjustment
- Can be used for right and left hand doors without conversion
- Door closer is embedded in door leaf and frame and fulfils maximum design demands
- Closing sequence control holds the active leaf in the waiting position until the passive leaf is closed
- Free swing function means comfortable use of the door with little effort
- Comfort hold-open function locks the door leaf at the end of the free swing area
- Smoke switch control unit can be connected, with a signal that closes the door automatically in the event of a fire
- Integrated back check, slows down doors that are thrown open forcefully
- Hydraulic latching action which accelerates the door shortly before the closed position
- Closing speed can be individually adjusted
- All functions can be adjusted when installed

→ **Please note:** According to the general DIBt official building approval for hold-open systems, the use of a manual trigger switch for free swing door closers is compulsory.

PRODUCT SCALE DRAWING



Boxer EFS

TECHNICAL DATA FOR DOOR CLOSER

Boxer EFS 4-6

PRODUCT FEATURES

Closing force acc. to EN 1154	4-6
Leaf width recommended up to	1400 mm
Recommended leaf weight of up to	180 kg
Minimum leaf thickness	50 mm
Identical design for DIN left and DIN right	●
Supply voltage	24 V DC
IP rating	IP43
Statements of approval	Door closer tested acc. to EN 1154 Hold-open device tested acc. to EN 1155
Length	332 mm
Overall depth	40 mm
Height	54 mm

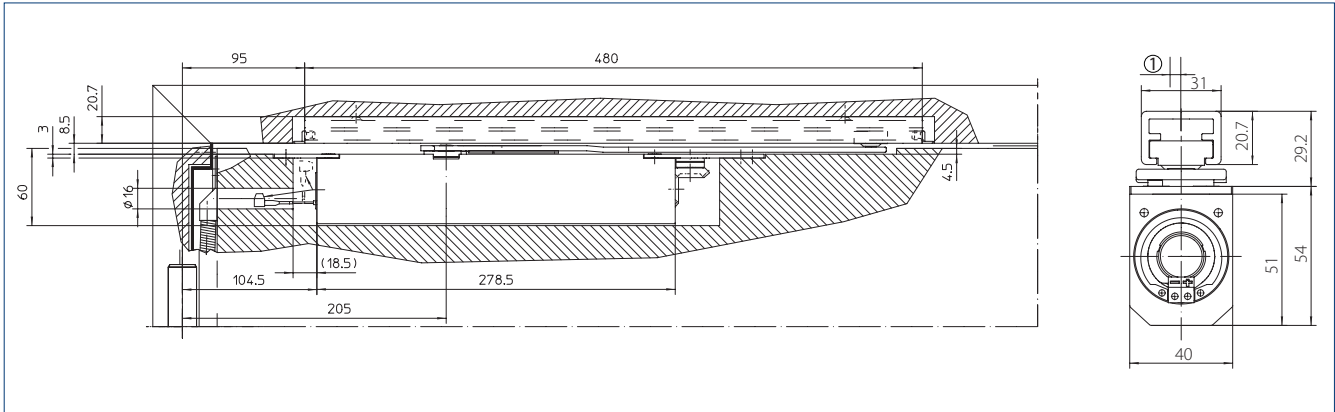
FUNCTIONS

Closing force adjustable	●
Closing speed adjustable	●
Latching action adjustable	Yes, via valve
Back check integrated	Yes, mechanically in the guide rail
Position of closing force adjustment	electrical / for free swing function
Safety valve to prevent intentional damage	●
Hold-open function integrated	electrical / for free swing function

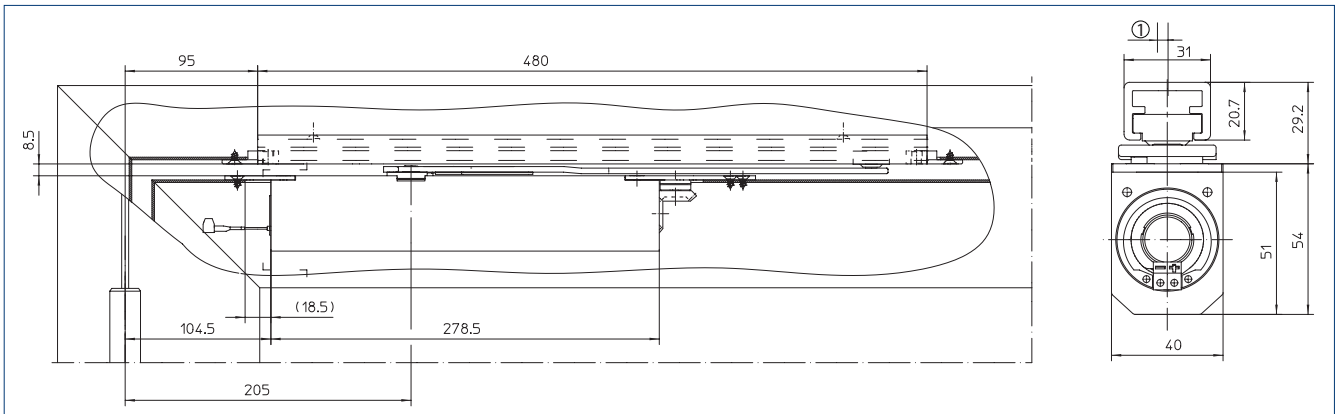
● = yes | ○ = optional

INSTALLATION DRAWINGS

BOXER EFS



Installation on timber door | 1 = guide rail offset max. 10 mm



Installation on metal door | 1 = guide rail offset max. 10 mm

BOXER EFS – ORDER INFORMATION

Designation	Version	ID no.
Boxer EFS 4-6 Closing force EN 4-6, with electric free swing function incl. free swing lever with comfort hold-open function		153559
Guide rail Boxer EFS 12 mm Overall height 12 mm, for Boxer EFS 4-6		153560
Guide rail Boxer EFS 20.7 mm Overall height 20.7 mm, for Boxer EFS 4-6		153571
ACCESSORIES		
Spindle extension Boxer EFS 4-6	4 mm	153573
	8 mm	153574
RSZ 7 smoke switch control unit Smoke switch control unit for all GEZE hold-open devices	silver-coloured	181025
	white RAL 9016	184195
	stainless steel optic ¹	184196
	acc. to RAL ²	185231
Wireless KIT FA GC 170 Set consisting of: 1 piece GC 171 wireless module for the wireless extension of GEZE hold-open systems		195524
GC 171 wireless module for the wireless connection of wireless components (GC 172 wireless smoke detector; GC 173 wireless thermal detector; GC 175 wireless input module) on GEZE hold-open systems	anthracite	163051
GC 172 wireless smoke detector for the wireless connection to GEZE hold-open systems, battery-operated with 8 years battery lifetime, with base, tested in accordance with EN 54-7 and EN 54-25, general construction technique permit for use with all GEZE hold-open systems	white RAL 9016	195522
GC 173 wireless thermal detector for the wireless connection to GEZE hold-open systems, battery-operated with 8 years battery lifetime, with base, tested in accordance with EN 54-7 and EN 54-25, general construction technique permit for use with all GEZE hold-open systems	white RAL 9016	195523
GC 175 wireless input module for wireless connection of manual trigger switches to the GEZE GC 171 wireless module, applicable for all GEZE hold-open systems	black	163068
GC 152 smoke detector Complete with base, 24 V DC, 20 mA, tested in accordance with EN 54-7, with general official building approval for use with all GEZE hold-open systems, integrated line monitoring, conform with DIN EN 14637	white	139850
	acc. to RAL ²	170523
GC 153 wireless thermal detector Complete with base, 24 V DC, 20 mA, tested in accordance with EN 54-5, with general official building approval for use with all GEZE hold-open systems, integrated line monitoring, conform with DIN EN 14637	white	139881
	acc. to RAL ²	170524
AS 500 manual trigger switch for the manual release of electrically controlled hold-open devices including terminating resistor for line monitoring	alpine white/red	116266
AS 500 manual trigger switch (with glass pane and 5 interchangeable labels) for the manual release of electrically controlled hold-open devices	alpine white/red	120880
Surface-mounted box, single suitable for the AS 500 switch programme	white	120503

1 only for dry rooms | 2 surcharge for RAL special colours, see General Notes in the price list.



SWING DOOR

For double leaf doors

An integrated door closer with closing sequence control is used to close double leaf doors safely. It guarantees that the active leaf closes after the passive leaf. This ensures that nothing and no one can become trapped. GEZE Boxer solutions available for double leaf swing doors have been designed to optimally match your swing door, and can be individually adjusted.



Boxer ISM



Integrated door closer system for double leaf doors with closing sequence control

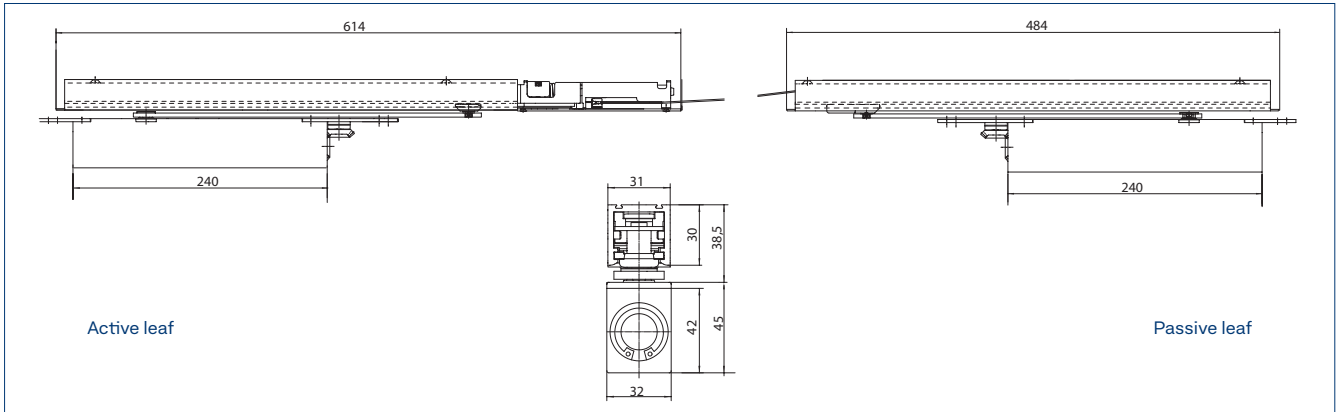
AREAS OF APPLICATION

- Fire and smoke protection doors, proof of suitability for the door required
- Double leaf single-action doors
- Single-action doors up to 2800 mm hinge clearance, 1400 mm leaf width, for door widths up to 180 kg
- Minimum hinge clearance 1300 mm, minimum width of passive leaf 540 mm
- For door leaf thicknesses from 40 mm
- Integrated installation

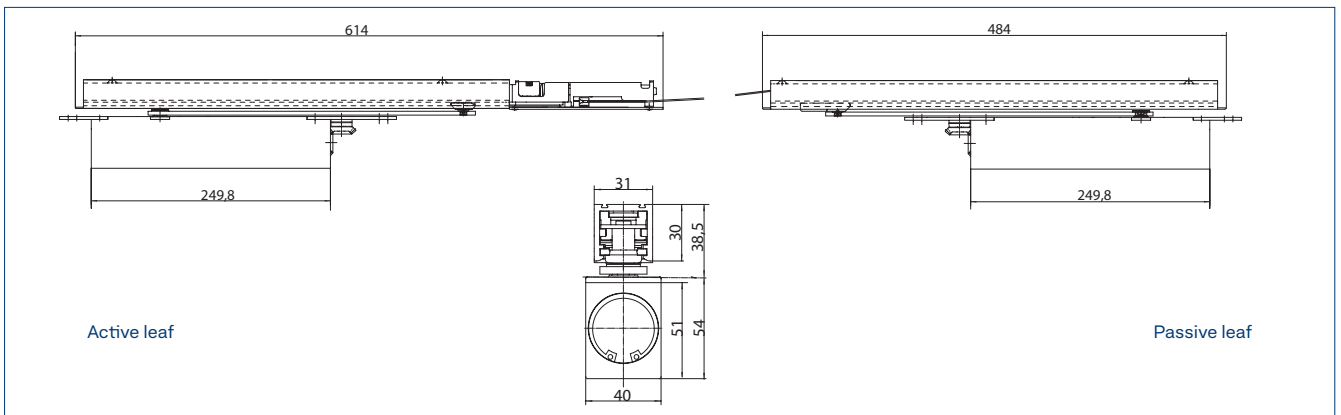
PRODUCT FEATURES

- System made of two Boxer door closers and an ISM guide rail
- Closing force of EN2-4 or EN3-6 with variable adjustment
- Can be used for right and left hand doors without conversion
- Door closer is embedded in door leaf and frame and fulfils maximum design demands
- Closing sequence control holds the active leaf in the waiting position until the passive leaf is closed
- Hydraulic latching action which accelerates the door shortly before the closed position
- Closing speed can be individually adjusted
- Integrated back check, slows down doors that are thrown open forcefully
- All functions can be adjusted when installed

PRODUCT SCALE DRAWING



Boxer ISM, closing force 2-4



Boxer ISM, closing force 3-6

TECHNICAL DATA FOR DOOR CLOSER

	Boxer 2-4 door closer	Boxer 2-4 2V door closer	Boxer 3-6 door closer
PRODUCT FEATURES			
Closing force acc. to EN 1154	2 – 4	2 – 4	3 – 6
Leaf width recommended up to	1100 mm	1100 mm	1400 mm
Recommended leaf weight of up to	130 kg	130 kg	180 kg
Minimum leaf thickness	40 mm	40 mm	50 mm
Identical design for DIN left and DIN right	●	●	●
Statements of approval	Door closer tested in accordance with EN 1154		
Length	286 mm	286 mm	293 mm
Overall depth	32 mm	32 mm	40 mm
Height	45 mm	45 mm	54 mm
FUNCTIONS			
Closing force adjustable	Yes, with variable adjustment		
Closing speed adjustable	●	●	●
Latching action adjustable	Yes, via valve		
Back check integrated	Yes, hydraulically adjustable		
Position of closing force adjustment	top		
Safety valve to prevent wilful damage	●	●	●
Valve control for regulating the latching action speed		●	

TECHNICAL DATA FOR GUIDE RAIL

	ISM guide rail Boxer
PRODUCT FEATURES	
Minimum hinge clearance	1300 mm
Minimum passive leaf width	540 mm
Statements of approval	Closing sequence controller tested acc. to EN 1158
Overall depth	31 mm
Height	30 mm
FUNCTIONS	
Closing sequence control integrated	●
Hold-open function integrated	○

● = yes | ○ = optional

BOXER ISM – ORDER INFORMATION

Designation	Spindle extension	Version	ID no.
Boxer 2-4 door closer	0 mm		099728
Closing force EN 2-4 with back check (without guide rail)	4 mm		101759
Boxer 2-4 2V door closer	0 mm		134448
Closing force EN 2-4 with back check and independent latching action valve (smooth latching function also available, without guide rail)	4 mm		134493
	8 mm		134494
Boxer 3-6 door closer	0 mm		099735
Closing force EN 3-6 with back check (without guide rail)	4 mm		101761
	8 mm		101762
ISM guide rail Boxer with integrated closing sequence control and levers		silver-coloured	114141

ACCESSORIES

GEZE flexible opening restrictor for guide rail 1-leaf: TS 5000 E/R/RFS (door leaf installation), Boxer E; 2-leaf: all E/R/ISM variants TS 5000 and Boxer			145311
CB flex carry bar for use on all 2-leaf rebated doors. Concealed length adjustment with variable adjustment up to 210 mm leaf protrusion, hinged mechanism not visible, profile can be shortened if necessary, with attachment material		acc. to RAL ¹	153728
		silver-coloured	153602
Mechanical hold-open function for ISM-guide rail, retention force adjustable, can be overridden			118437

¹ surcharge for RAL special colours, see General Notes in the price list.

Only for dry rooms | ² surcharge for RAL special colours, see General Notes in the price list.

Boxer E-ISM



Integrated door closer system for double leaf doors
with closing sequence control and electric hold-open device

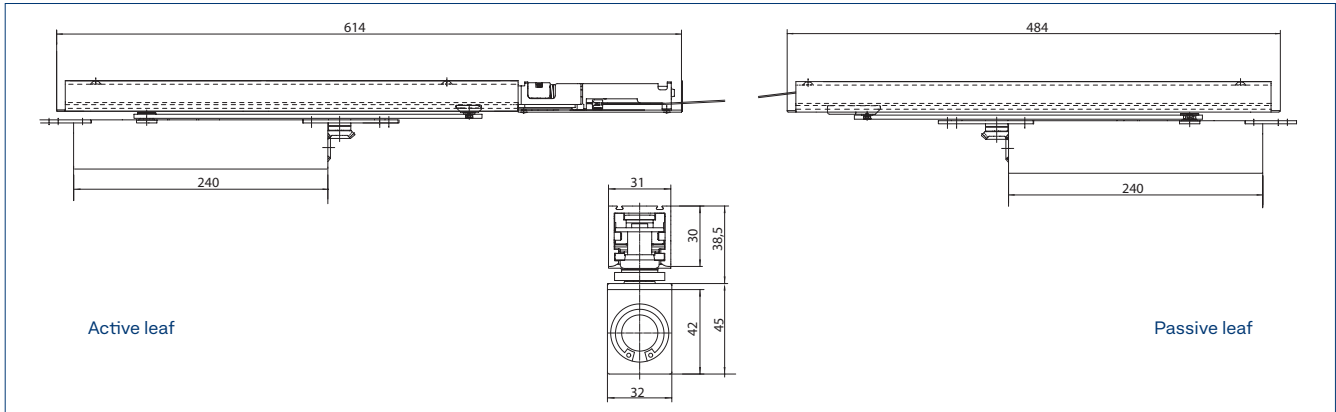
AREAS OF APPLICATION

- Fire and smoke protection doors, proof of suitability for the door required
- Double leaf single-action doors
- Symmetrical and asymmetrical division of door possible
- Single-action doors up to 2800 mm hinge clearance, 1400 mm leaf width, for door widths up to 180 kg
- Minimum hinge clearance 1300 mm, minimum width of passive leaf 540 mm
- For door leaf thicknesses from 40 mm
- Integrated installation

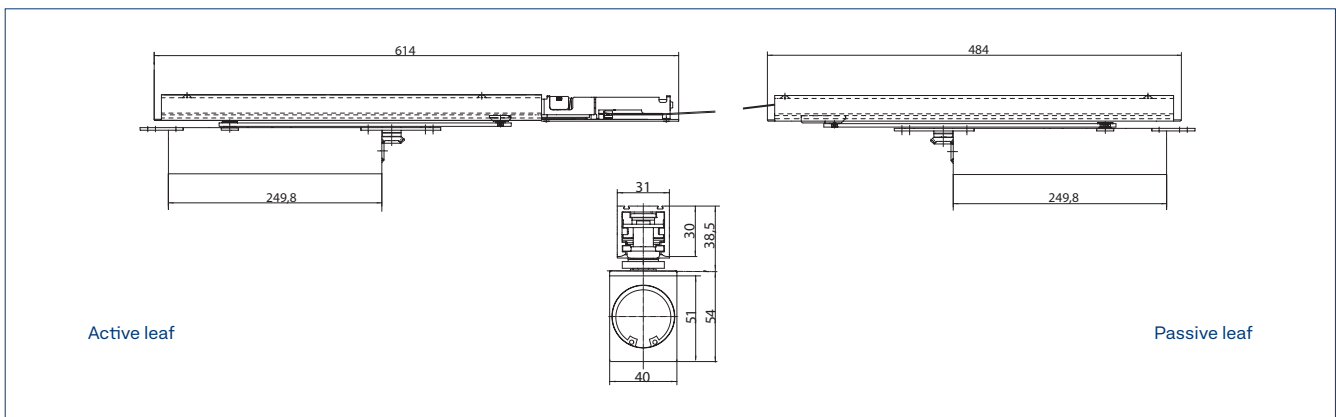
PRODUCT FEATURES

- System made of two Boxer door closers and an E-ISM guide rail
- Closing force of EN 2-4 or EN 3-6 with variable adjustment
- Can be used for right and left hand doors without conversion
- Door closer is embedded in door leaf and frame and fulfils maximum design demands
- Closing sequence control holds the active leaf in the waiting position until the passive leaf is closed
- Electric hold-open device in the guide rail with hold-open area of 80°-120°
- Retention force of the hold-open function with variable adjustment
- Smoke switch control unit can be connected, with a signal that closes the door automatically in the event of a fire
- Integrated back check, slows down doors that are thrown open forcefully
- Hydraulic latching action which accelerates the door shortly before the closed position
- Closing speed can be individually adjusted
- All functions can be adjusted when installed

PRODUCT SCALE DRAWING



Boxer E-ISM, closing force 2-4



Boxer E-ISM, closing force 3-6

TECHNICAL DATA FOR DOOR CLOSER

	Boxer 2-4 door closer	Boxer 2-4 2V door closer	Boxer 3-6 door closer
PRODUCT FEATURES			
Closing force acc. to EN 1154	2 – 4	2 – 4	3 – 6
Leaf width recommended up to	1100 mm	1100 mm	1400 mm
Recommended leaf weight of up to	130 kg	130 kg	180 kg
Minimum leaf thickness	40 mm	40 mm	50 mm
Identical design for DIN left and DIN right	●	●	●
Statements of approval	Door closer tested acc. to EN 1154		
Length	286 mm	286 mm	293 mm
Overall depth	32 mm	32 mm	40 mm
Height	45 mm	45 mm	54 mm
FUNCTIONS			
Closing force adjustable	Yes, with variable adjustment		
Closing speed adjustable	●	●	●
Latching action adjustable	Yes, via valve		
Back check integrated	Yes, hydraulically adjustable		
Position of closing force adjustment	top		
Safety valve to prevent intentional damage	●	●	●
Valve control for regulating the latching action speed		●	

● = yes | ○ = optional

TECHNICAL DATA FOR GUIDE RAIL

E-ISM guide rail Boxer	
PRODUCT FEATURES	
Minimum hinge clearance	1300 mm
Minimum passive leaf width	540 mm
Supply voltage	24 V DC
IP rating	IP 43
Statements of approval	Hold-open device tested acc. to EN 1155 Closing sequence controller tested acc. to EN 1158
Overall depth	31 mm
Height	30 mm
FUNCTIONS	
Closing sequence control integrated	●
Hold-open function integrated	electrical
Hold-open function on active leaf / passive leaf	● / ●
Hold-open function can be switched on and off	●
Hold-open function can be overridden	●

● = yes | ○ = optional

BOXER E-ISM – ORDER INFORMATION

Designation	Spindle extension	Version	ID no.
Boxer 2-4 door closer Closing force EN 2-4 with back check (without guide rail)	0 mm		099728
	4 mm		101759
Boxer 2-4 2V door closer Closing force EN 2-4 with back check and independent latching action valve (smooth latching function also available, without guide rail)	0 mm		134448
	4 mm		134493
	8 mm		134494
Boxer 3-6 door closer Closing force EN 3-6 with back check (without guide rail)	0 mm		099735
	4 mm		101761
	8 mm		101762
E-ISM guide rail Boxer With integrated closing sequence control, electric hold-open device on both leaves and levers		silver-coloured	114142
ACCESSORIES			
Flexible opening restrictor for guide rail 1-leaf: TS 5000 E/R/RFS (door leaf installation), Boxer E; 2-leaf: all E/R/ISM variants TS 5000 and Boxer			145311
CB flex carry bar for use on all 2-leaf rebated doors. Concealed length adjustment with variable adjustment up to 210 mm leaf protrusion, hinged mechanism not visible, profile can be shortened if necessary, with attachment material		acc. to RAL ²	153728
		silver-coloured	153602
RSZ 7 smoke switch control unit Smoke switch control unit for all GEZE hold-open devices		silver-coloured	181025
		white RAL 9016	184195
		stainless steel optic ¹	184196
		acc. to RAL ²	185231
FA GC 170 wireless KIT Set consisting of: 1 piece GC 171 wireless module for the wireless extension of GEZE hold- open systems			195524
GC 171 wireless module for the wireless connection of wireless components (GC 172 wireless smoke detector; GC 173 wireless thermal detector; GC 175 wireless input module) on GEZE hold-open systems		anthracite	163051
GC 172 wireless smoke detector for the wireless connection to GEZE hold-open systems, battery-operated with 8 years battery lifetime, with base, tested in accordance with EN 54-7 and EN 54-25, general construction technique permit for use with all GEZE hold-open systems		white RAL 9016	195522
GC 173 wireless thermal detector for the wireless connection to GEZE hold-open systems, battery-operated with 8 years battery lifetime, with base, tested in accordance with EN 54-7 and EN 54-25, general construction technique permit for use with all GEZE hold-open systems		white RAL 9016	195523
GC 175 wireless input module for wireless connection of manual trigger switches to the GEZE GC 171 wireless module, applicable for all GEZE hold-open systems		black	163068
GC 152 smoke detector Complete with base, 24 V DC, 20 mA, tested in accordance with EN 54-7, with general official building approval for use with all GEZE hold-open systems, integrated line monitoring, conform with DIN EN 14637		white	139850
		acc. to RAL ²	170523
GC 153 wireless thermal detector Complete with base, 24 V DC, 20 mA, tested in accordance with EN 54-5, with general official building approval for use with all GEZE hold-open systems, integrated line monitoring, conform with DIN EN 14637		white	139881
		acc. to RAL ²	170524
Manual trigger switch Flush-mounted version for the manual release of electrically controlled hold-open devices including terminating resistor for line monitoring		alpine white	116266
Surface-mounted box, single suitable for the AS 500 switch programme			120503
Manual trigger switch with glass pane and 5 interchangeable labels Flush-mounted version for the manual release of electrically controlled hold-open devices including terminating resistor for line monitoring		alpine white	120880

¹ Only for dry rooms | ² Surcharge for RAL special colours, see General Notes in the price list.



SWING DOOR

For double leaf doors with free swing function

For added comfort and safety, the integrated door closer is available with electric free swing function. It can be used to open your double leaf swing door with minimal force. The comfort latching function that locks the door at the end of its free swing area adds an extra feature to the free swing door closer. The system also fulfils discerning design requirements: The door closer is recessed into the door leaf and frame to fit perfectly in your swing door system.



Boxer ISM-EFS



Integrated door closer system for double leaf doors with closing sequence control and electric free swing function

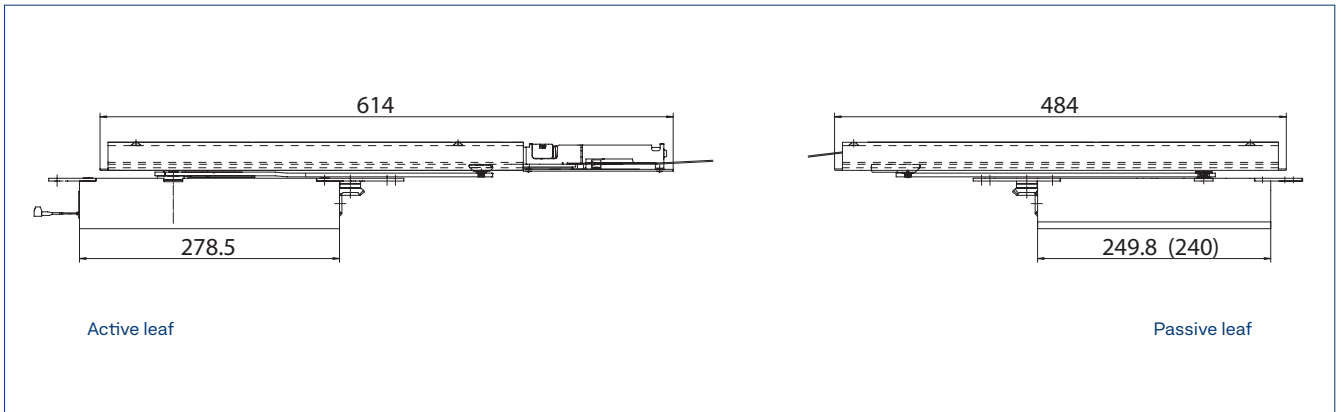
AREAS OF APPLICATION

- Fire and smoke protection doors, proof of suitability for the door required
- Double leaf single-action doors
- Symmetrical and asymmetrical division of door possible
- Single-action doors up to 2800 mm hinge clearance, 1400 mm leaf width, for door widths up to 180 kg
- Minimum hinge clearance 1300 mm, minimum width of passive leaf 540 mm
- For door leaf thicknesses from 50 mm
- Integrated installation
- Hold-open systems with integrated hold-open function with free swing
- Barrier-free access in accordance with DIN 18040

PRODUCT FEATURES

- System consisting of two door closers Boxer EFS- 4-6 and Boxer 2-4 or 3-6 with ISM guide rail
- Closing force of EN 4-6 with variable adjustment on the active leaf, EN 3-6 or EN 2-4 on the passive leaf
- Can be used for right and left hand doors without conversion
- Door closer is embedded in door leaf and frame and fulfils maximum design demands
- Closing sequence control holds the active leaf in the waiting position until the passive leaf is closed
- Free swing function means comfortable use of the door with little effort
- Comfort hold-open function locks the door leaf at the end of the free swing area
- Smoke switch control unit can be connected, with a signal that closes the door automatically in the event of a fire
- Integrated back check, slows down doors that are thrown open forcefully
- Hydraulic latching action which accelerates the door shortly before the closed position
- Closing speed can be individually adjusted
- All functions can be adjusted when installed

PRODUCT SCALE DRAWING



Boxer ISM-EFS

TECHNICAL DATA FOR DOOR CLOSER

	Boxer 2-4 door closer	Boxer 2-4 2V door closer	Boxer 3-6 door closer	Boxer EFS 4-6
PRODUCT FEATURES				
Closing force acc. to EN 1154	2 – 4	2 – 4	3 – 6	4 – 6
Leaf width recommended up to	1100 mm		1400 mm	
Recommended leaf weight of up to	130 kg		180 kg	180 kg
Minimum leaf thickness	40 mm	40 mm	50 mm	50 mm
Identical design for DIN left and DIN right	●	●	●	●
Supply voltage				24 V DC
IP rating				IP 43
Statements of approval	Door closer tested acc. to EN 1154	Door closer tested acc. to EN 1154	Door closer tested acc. to EN 1154	Door closer tested acc. to EN 1154 Hold-open device tested acc. to EN 1155
Length	286 mm	286 mm	293 mm	332 mm
Overall depth	32 mm	32 mm	40 mm	40 mm
Height	45 mm	45 mm	54 mm	54 mm
FUNCTIONS				
Closing force adjustable	Yes, with variable adjustment	Yes, with variable adjustment	Yes, with variable adjustment	Yes, with variable adjustment
Closing speed adjustable	●	●	●	●
Latching action adjustable	Yes, via valve			
Back check integrated	Yes, hydraulically adjustable	Yes, hydraulically adjustable	Yes, hydraulically adjustable	Yes, mechanically in the guide rail
Position of closing force adjustment	Top			
Safety valve to prevent intentional damage	●	●	●	●
Valve control for regulating the latching action speed		●		
Hold-open function integrated				electrically, for free swing function

● = yes | ○ = optional

TECHNICAL DATA FOR GUIDE RAIL

	ISM guide rail Boxer
PRODUCT FEATURES	
Minimum hinge clearance	1300 mm
Minimum passive leaf width	540 mm
Statements of approval	Closing sequence controller tested acc. to EN 1158
Overall depth	31 mm
Height	30 mm
FUNCTIONS	
Closing sequence control integrated	●

● = yes | ○ = optional

BOXER ISM-EFS – ORDER INFORMATION

Designation	Spindle extension	Version	ID no.
Boxer EFS 4-6 Closing force EN 4-6, with electric free swing function incl. free swing lever with comfort lock function	0 mm		153559
Spindle extension Boxer EFS 4-6	4 mm		153573
	8 mm		153574
Boxer 2-4 door closer Closing force EN 2-4 with back check (without guide rail)	0 mm		099728
	4 mm		101759
Boxer 2-4 2V door closer Closing force EN 2-4 with back check and independent latching action valve (smooth latching function also available, without guide rail)	0 mm		134448
	4 mm		134493
	8 mm		134494
Boxer 3-6 door closer Closing force EN 3-6 with back check (without guide rail)	0 mm		099735
	4 mm		101761
	8 mm		101762
ISM guide rail Boxer with integrated closing sequence control and levers		silver-coloured	114141
ACCESSORIES			
Flexible opening restrictor for guide rail 1-leaf: TS 5000 E/R/RFS (door leaf installation), Boxer E; 2-leaf: all E/R/ISM variants TS 5000 and Boxer			145311
CB flex carry bar for use on all 2-leaf rebated doors. Concealed length adjustment with variable adjustment up to 210 mm leaf protrusion, hinged mechanism not visible, profile can be shortened if necessary, with attachment material		acc. to RAL ²	153728
		silver-coloured	153602
RSZ 7 smoke switch control unit Smoke switch control unit for all GEZE hold-open devices		silver-coloured	181025
		white RAL 9016	184195
		stainless steel optic ¹	184196
		acc. to RAL ²	185231
FA GC 170 wireless KIT Set consisting of: 1 piece GC 171 wireless module for the wireless extension of GEZE hold- open systems			195524
GC 171 wireless module for the wireless connection of wireless components (GC 172 wireless smoke detector; GC 173 wireless thermal detector; GC 175 wireless input module) on GEZE hold-open systems		anthracite	163051
GC 172 wireless smoke detector for the wireless connection to GEZE hold-open systems, battery-operated with 8 years battery lifetime, with base, tested in accordance with EN 54-7 and EN 54-25, general construction technique permit for use with all GEZE hold-open systems		white RAL 9016	195522
GC 173 wireless thermal detector for the wireless connection to GEZE hold-open systems, battery-operated with 8 years battery lifetime, with base, tested in accordance with EN 54-7 and EN 54-25, general construction technique permit for use with all GEZE hold-open systems		white RAL 9016	195523
GC 175 wireless input module for wireless connection of manual trigger switches to the GEZE GC 171 wireless module, applicable for all GEZE hold-open systems		black	163068
GC 152 smoke detector Complete with base, 24 V DC, 20 mA, tested in accordance with EN 54-7, with general official building approval for use with all GEZE hold-open systems, integrated line monitoring, con- form with DIN EN 14637		white	139850
		according to RAL ²	170523
GC 153 wireless thermal detector Complete with base, 24 V DC, 20 mA, tested in accordance with EN 54-5, with general official building approval for use with all GEZE hold-open systems, integrated line monitoring, con- form with DIN EN 14637		white	139881
		according to RAL ²	170524
Manual trigger switch Flush-mounted version for the manual release of electrically controlled hold-open devices including terminating resistor for line monitoring		alpine white	116266
Surface-mounted box, single suitable for the AS 500 switch programme			120503
Manual trigger switch with glass pane and 5 interchangeable labels Flush-mounted installation for the manual release of electrically controlled hold-open devices		alpine white	120880
Replacement glass pane for manual trigger switch 120880 and 120881			10994

¹ Only for dry rooms | ² Surcharge for RAL special colours, see General Notes in the price list.



SWING DOOR

Boxer pivot bearing

Integrated pivot bearing for opening restriction or
hold-open function for doors without a door closer



Boxer pivot bearing



Integrated pivot bearing for opening restriction or hold-open function for doors without a door closer

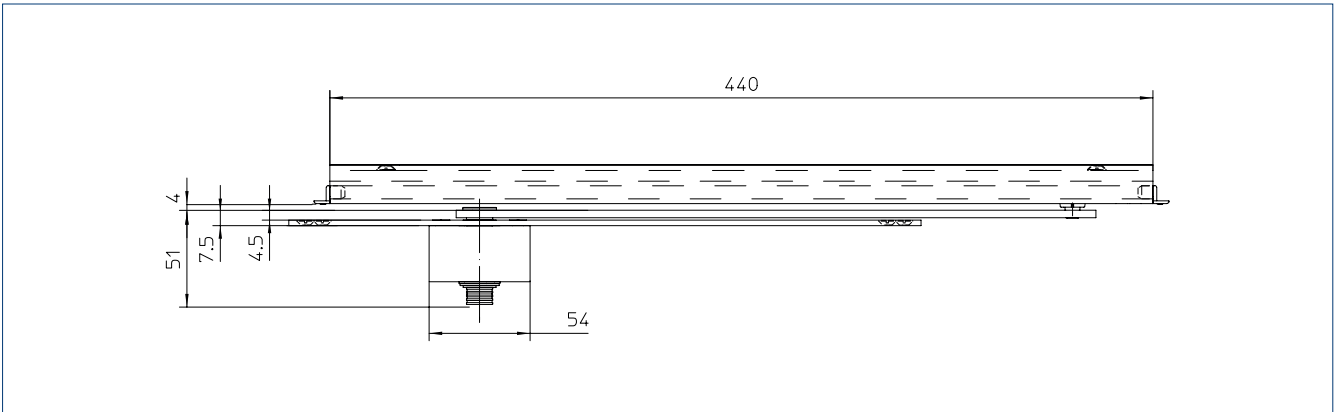
AREAS OF APPLICATION

- Right and left single- and double-action doors
- Opening restriction for single- or double-action doors without door closer
- Door systems without smoke and fire protection needs
- For combining an automatic swing door drive with a Boxer on double leaf door systems

PRODUCT FEATURES

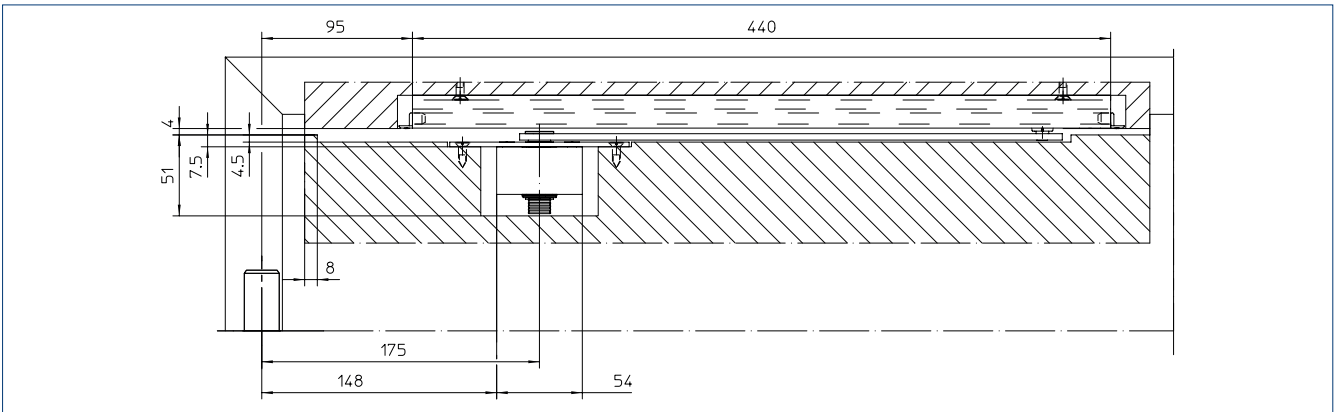
- Holds doors open without door closer, not self-locking
- The door opening angle is limited and a door stopper is usually no longer required
- Doing without door stoppers enhances the appearance of the door area, stumbling hazards and dirty corners disappear
- Can be used for right and left hand doors without conversion
- Crushing between door leaf and floor mounted door stopper is avoided

PRODUCT SCALE DRAWING

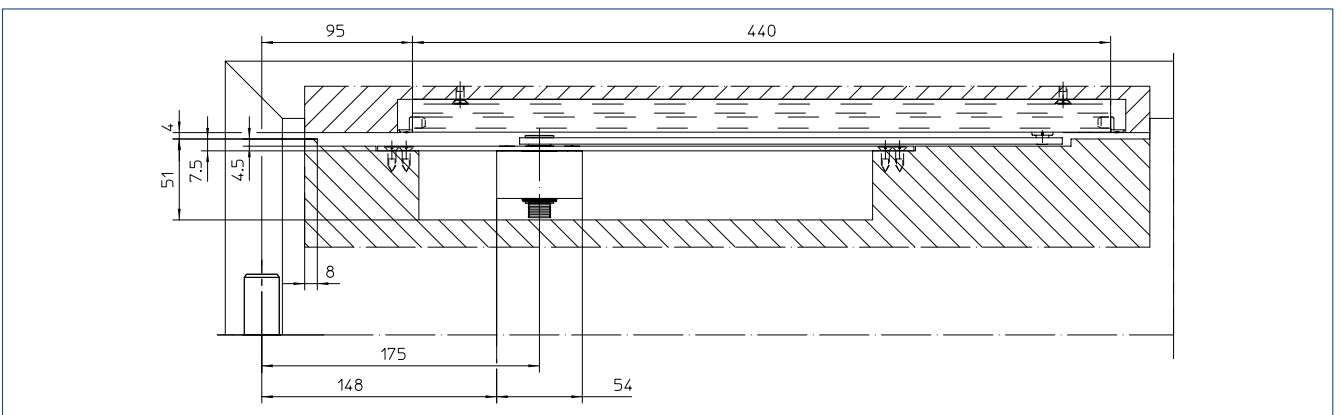


Boxer pivot bearing

INSTALLATION INFORMATION



Pivot bearing with short cover plate



Pivot bearing with long cover plate

BOXER PIVOT BEARING – ORDER INFORMATION

Designation	Spindle extension	Version	ID no.
Boxer pivot bearing Integrated pivot bearing for opening restriction or holding open of doors without door closer, for use with all guide rails Boxer	0, 2, 4, 6, 8 mm		156278
Guide rail Boxer 12 mm with lever, overall height 12 mm		silver-coloured	129213
		according to RAL ¹	135732
Guide rail Boxer 12 mm with lever for double-action doors, overall height 12 mm (only Boxer 2-4)		silver-coloured	129344
		according to RAL ¹	135733
Guide rail Boxer 12 mm with tapered lever, overall height 12 mm		silver-coloured	184365
		acc. to RAL ¹	135732
Guide rail Boxer 20.7 mm with lever, overall height 20.7 mm		silver-coloured	112161
Guide rail Boxer 20.7 mm with lever and mechanical hold-open device, overall height 20.7 mm		silver-coloured	95141
		according to RAL ¹	135689
Guide rail Boxer 20.7 mm with lever for double-action doors and mechanical hold-open device, overall height 20.7 mm (only Boxer 2-4)		silver-coloured	104246
		according to RAL ¹	135731

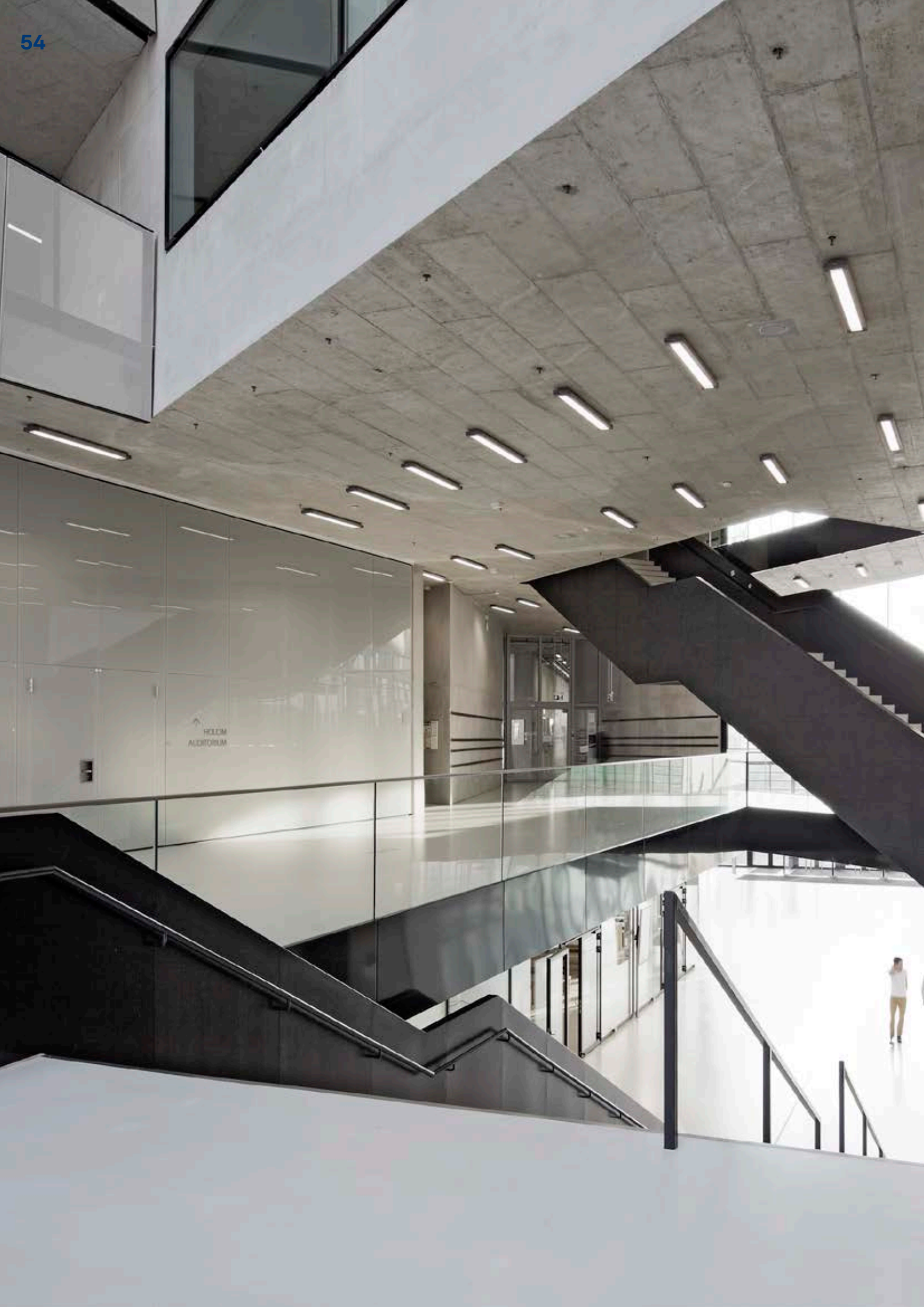
ACCESSORIES

Flexible opening restriction for lightweight doors for guide rail Boxer 12 mm			129343
Flexible opening restriction for lightweight doors for riveted guide rail, standard guide rail BG, standard guide rail and Boxer 20.7 mm guide rail			069780
Mechanical hold-open function for Boxer 12 mm guide rail, retention force adjustable, cannot be overridden			129145
Mechanical hold-open function for standard / T-Stop / Boxer 20.7 mm guide rail, retention force adjustable, can be switched on and off, can be overridden			071924

¹ Surcharge for RAL special colours, see General Notes in the price list.



Vitra Haus, Weil am Rhein, Germany (photo: Oliver Look)



SWING DOOR

Accessories

To make your hold-open devices even safer in an emergency, we have a wide range of accessories in our product range. For example, you can opt for a GEZE smoke switch control unit. Manual or wireless – we have numerous versions on offer for you. We are more than happy to answer any questions you may have about your safe door.



RSZ 7 smoke switch control unit



Extendable smoke switch control unit
for all GEZE hold-open devices



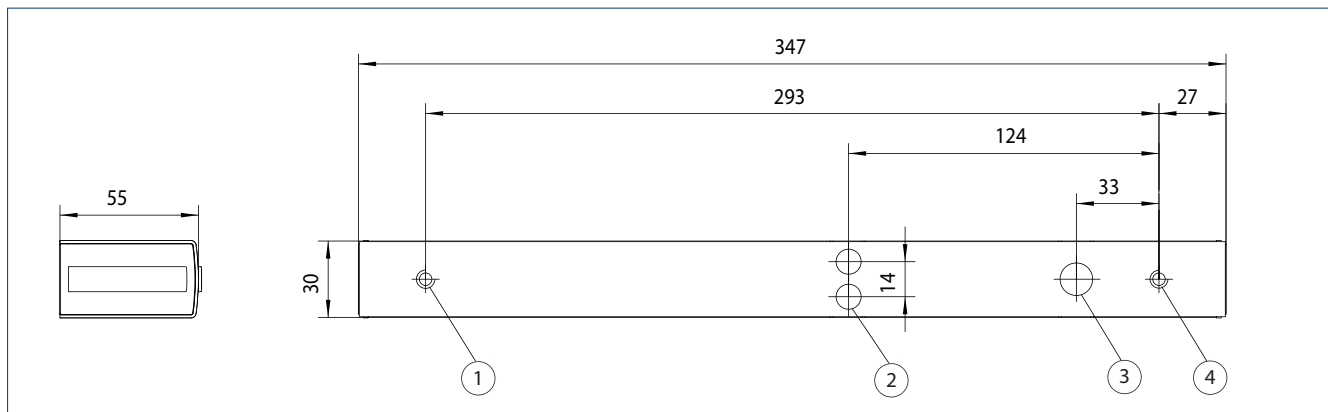
AREAS OF APPLICATION

- Approved for all GEZE hold-open devices for the early detection of fire and smoke
- Difficult lintel situations, for example with too little space above the smoke chamber
- Installation above the active leaf on the vertical wall
- Installation possible with surface-mounted line-feed

PRODUCT FEATURES

- Telescopic function for bridging overhangs of up to 30 mm
- Connection to 230 V power supply and 24 V DC supply of the hold-open device
- Power supply of the hold-open system is interrupted in the case of an alarm and the doors close
- Integrated smoke switch with automatic adaptation of the alarm threshold
- Compensates for light contamination of the smoke chamber and thus increases the service life
- Visual display of the current control panel status
- Additional smoke switches can be connected
- Surface-mounted line-feed possible

PRODUCT SCALE DRAWING



1 = threaded hole M5 | 2 = opening for additional connections | 3 = power supply (230 V) | 4 = threaded hole M5

ORDER INFORMATION

Designation	Version	ID no.
RSZ 7 smoke switch control unit Smoke switch control unit for all GEZE hold-open devices	silver-coloured	181025
	white RAL 9016	184195
	stainless steel optic ¹	184196
	acc. to RAL ²	185231

ACCESSORIES

FA GC 170 wireless KIT Set consisting of: 1 piece GC 171 wireless module for the wireless extension of GEZE hold-open systems		195524
GC 171 wireless module for the wireless connection of wireless components (GC 172 wireless smoke detector; GC 173 wireless thermal detector; GC 175 wireless input module) on GEZE hold-open systems	anthracite	163051
GC 172 wireless smoke detector for the wireless connection to GEZE hold-open systems, battery-operated with 8 years battery lifetime, with base, tested in accordance with EN 54-7 and EN 54-25, general construction technique permit for use with all GEZE hold-open systems	white RAL 9016	195522
GC 173 wireless thermal detector for the wireless connection to GEZE hold-open systems, battery-operated with 8 years battery lifetime, with base, tested in accordance with EN 54-7 and EN 54-25, general construction technique permit for use with all GEZE hold-open systems	white RAL 9016	195523
GC 175 wireless input module for wireless connection of manual trigger switches to the GEZE GC 171 wireless module, applicable for all GEZE hold-open systems	black	163068
GC 152 smoke detector Complete with base, 24 V DC, 20 mA, tested in accordance with EN 54-7, with general official building approval for use with all GEZE hold-open systems, integrated line monitoring, conform with DIN EN 14637	white	139850
	according to RAL ²	170523
GC 153 wireless thermal detector Complete with base, 24 V DC, 20 mA, tested in accordance with EN54-5, with general official building approval for use with all GEZE hold-open systems, integrated line monitoring, conform with DIN EN 14637	white	139881
	according to RAL ²	170524
Manual trigger switch for the manual release of electrically controlled hold-open devices including terminating resistor for line monitoring	alpine white/red	116266
Surface-mounted box, single suitable for the AS 500 switch programme		120503
Manual trigger switch with glass pane and 5 interchangeable labels for the manual release of electrically controlled hold-open devices	alpine white/red	120880

1 Only for dry rooms | 2 Surcharge for RAL special colours, see General Notes in the price list.

SWING DOOR

Further information

Product information for door closers



Product information for door closers

PRODUCT INFORMATION FOR DOOR CLOSERS

Due to the liability the manufacturer has for its products under the German product liability law (§ 4 Prod-HaftG), the following information regarding door closers for swing doors must be observed. Failure to comply releases the manufacturer from his statutory liability.

1) PRODUCT INFORMATION AND USE AS INTENDED

Within this context, door closers are to be defined as products for closing swing doors after they have been opened manually. The closing action is dampened using a hydraulically adjustable feature.

The level of closing force required for specific leaf widths is defined in EN 1154. In the case of non-standard applications, the details provided by the manufacturer are to be regarded as definitive. Door closers are used on installed swing doors made from metal, timber or plastic and combinations thereof. When used on smoke and fire protection doors or other standardised self-locking doors, they are subject to strict requirements in terms of the type of installation and their position. Any deviation from these requirements constitutes improper use.

Proper use of door closers (use as intended) relies on doors being installed perpendicular and their being able to move smoothly; it is also dependent on the door closers being properly secured. The products must be installed and adjusted professionally in accordance with the manufacturer's specifications.

Where local conditions are particularly unfavourable (wind), door closers with higher torques must be used.

It is particularly important to use door closers with a back check function on swing doors that are exposed to wind when opening outwards. The back check function helps protect people, door elements, nearby walls and objects, without restricting the door opening angle. If the structural conditions of the door are such that there is a risk of the door leaf hitting the frame in the vicinity of the door's axis of rotation, a buffer must be installed to limit the door's maximum opening angle. If swing doors are to be fixed in the open position, this may only be achieved using special additional fittings or integrated constructional elements. When used on smoke and fire protection doors, the devices must be officially approved by Deutsches Institut für Bautechnik (German Centre of Competence for Construction) (door suitability certificates must be heeded).

Door closers are not suitable for installation on swing doors in the case of exposed exterior installation or for installation in environments where the air contains aggressive, corrosive substances or in extremely high or low temperatures.

Following installation, enclosures for floor springs must be protected against soiling. If floor springs are exposed to penetrating water such as wet rooms or exterior doors with no protection from the rain, the area between the cement box and the floor spring cover must be sealed with a suitable sealing compound.

Compliance with mandatory statutory provisions must be ensured, where applicable, before door closers (including any additional devices) are installed and commissioned.

2) MISUSE

Misuse (i.e. improper use of door closer products for swing doors) includes, in particular:

- the presence of obstacles in the closing area, scraping doors, sticking seals, wooden wedges, etc. that hinder the door's closing action,
- if incorrect or improper mounting and/or adjustment occurs,
- if reaching into the area between the door frame and leaf (risk of injury),
- if the warranted properties are likely to trigger proper functioning, e.g. in case of storms or unusual levels of overpressure or underpressure acting on the door,
- if door closers are used for any purpose other than closing doors,
- if the selected closing force does not tally with the manufacturer's recommendations.

3) PRODUCT PERFORMANCE

Where catalogues, brochures, manuals, etc. do not contain specific details of product performance, special requirements must be discussed and agreed with the manufacturer.

The EN 1154 standards serve as a guideline. These standards stipulate the vast majority of basic and additional requirements. Amongst other things, the usability of door closers depends on how often they are operated, how they are operated, environmental influences and how they are cared for. Door closers must be replaced as soon as the door's closing action can no longer be guaranteed to be fault-free and reliable.

4) PRODUCT MAINTENANCE

Safety-related components of door closers must be checked regularly for tightness and signs of wear (depending on what the requirements are). Fixing screws must be re-tightened and defective components replaced. In addition, the following maintenance work must be carried out at least once a year (depending on the swing door type and extent of use).

- Grease all moving parts on the link arm.
- In the case of door closers with special functions (hold-open devices and hold-open systems), ensure compliance with statutory inspections, monitoring requirements and suggested maintenance intervals.
- Check the door closer settings e.g. the closing speed.
- Check that the door is able to move easily.

Do not use any cleaning agents that contain corrosive or damaging ingredients.

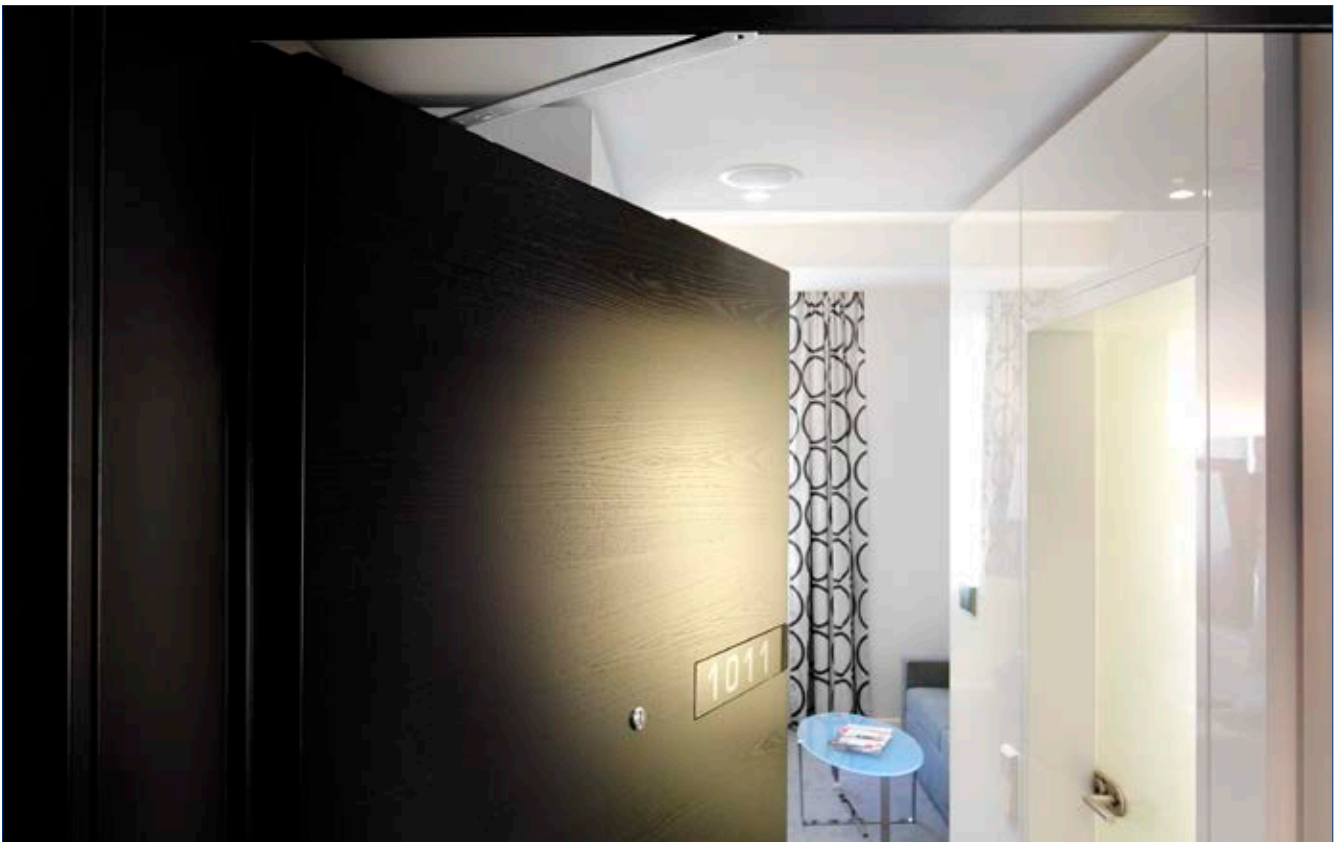
5) DUTIES TO INFORM AND INSTRUCT

The following resources are available to help planners, specialist suppliers, installation companies, builders and users fulfil their duties of information and instruction:

- Catalogues, brochures, leaflets,
- Tender texts and bidding documents,
- Attachment instructions, installation drawings, operating instructions, standards
- Advice from field staff.

To ensure correct use of door closers on swing doors, guarantee their function and make sure they are maintained and cared for appropriately:

- Architects and planners are advised to order and observe the necessary product information,
- Specialist suppliers are advised to observe the product information and advice in the price lists and, in particular, to order all relevant instructions, which are to be passed on to the installation engineer,
- Fabrication companies are advised to observe all the product information and to pass it on to the client and user.



Andels Hotel, Berlin, Germany (photo: Stefan Dauth)

We are GEZE.

For liveable buildings

GEZE stands for innovation, high quality and comprehensive support of building technologies. From the initial idea, planning and operational implementation with standard products to customised system solutions and individual service and maintenance plans. We offer an extensive product range of door, window and safety technology products and are a major driving force behind the digital networking of building automation.

GEZE GmbH

Reinhold-Vöster-Strasse 21 – 29

71229 Leonberg

Germany

Telephone: +49 7152 203 0

Fax: +49 7152 203 310

E-Mail: info.de@geze.com

www.geze.com