

## Remarks

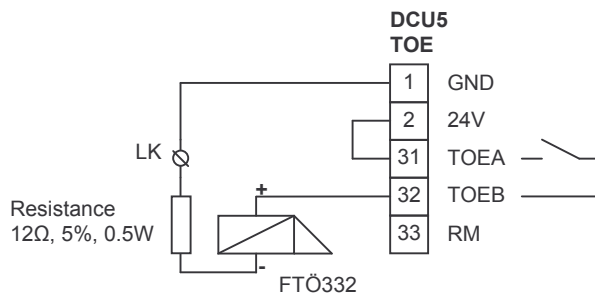
- Emergency door opener FTÖ332, item No. 121857, 121858, 121859, 121860, 121861, 124598
- LK = wire connector
- Limiting resistor  $12\Omega$ , 5%, 0.5W
- Insulate limiting resistor with shrink-sleeve.
- A separate limiting resistor is required for each FTÖ332

## Emergency door opener FT332 on control DCU5 (-I)

- Observe the remarks
- Observe the connection plan item No. 120062

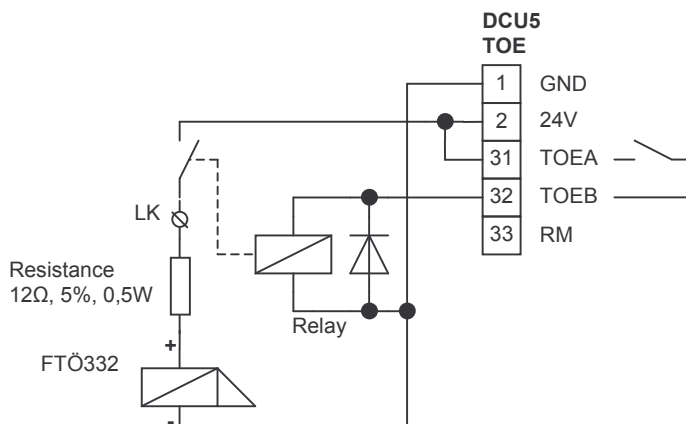
### Connection via limiting resistor

- Only one FTÖ332 is connectable over a limiting resistance.



### Connection over supplementary relay and limiting resistor

- Up to 3 FTÖ332 can be connected to a supplementary relay over limiting resistors.
- Relay, No. item No. 103352  
Note: a relay is required with contact switch current of 10A.



## Emergency door opener FT332 on control DCU2 (-F, -I)

- Observe remarks
- Observe the connection plan for the door drive item No. 107579
- Up to 3 FTÖ332 are connectable over limiting resistors.

