

### GEZE Pull Handle

D-Series  
H-Series

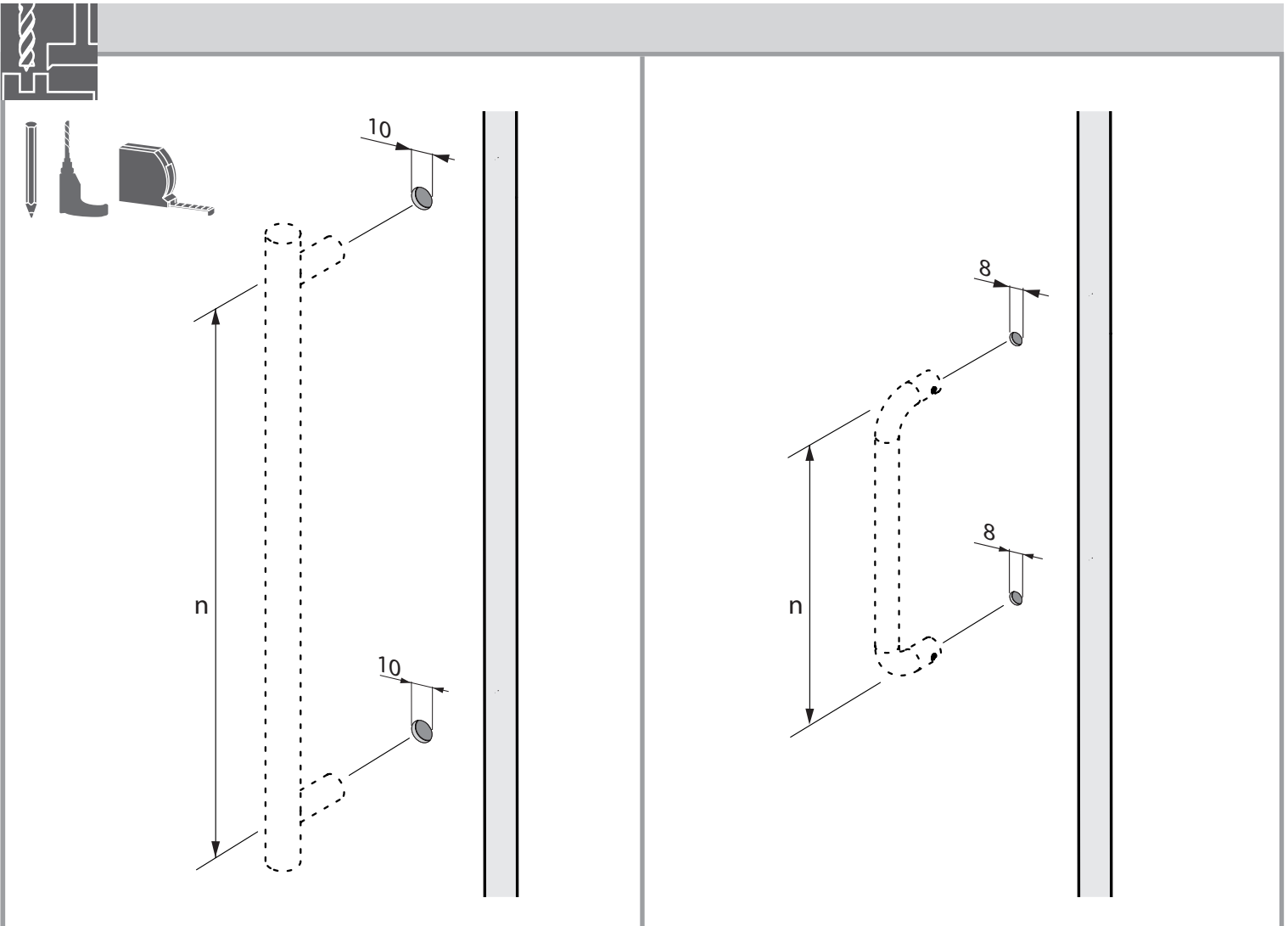
181056-00



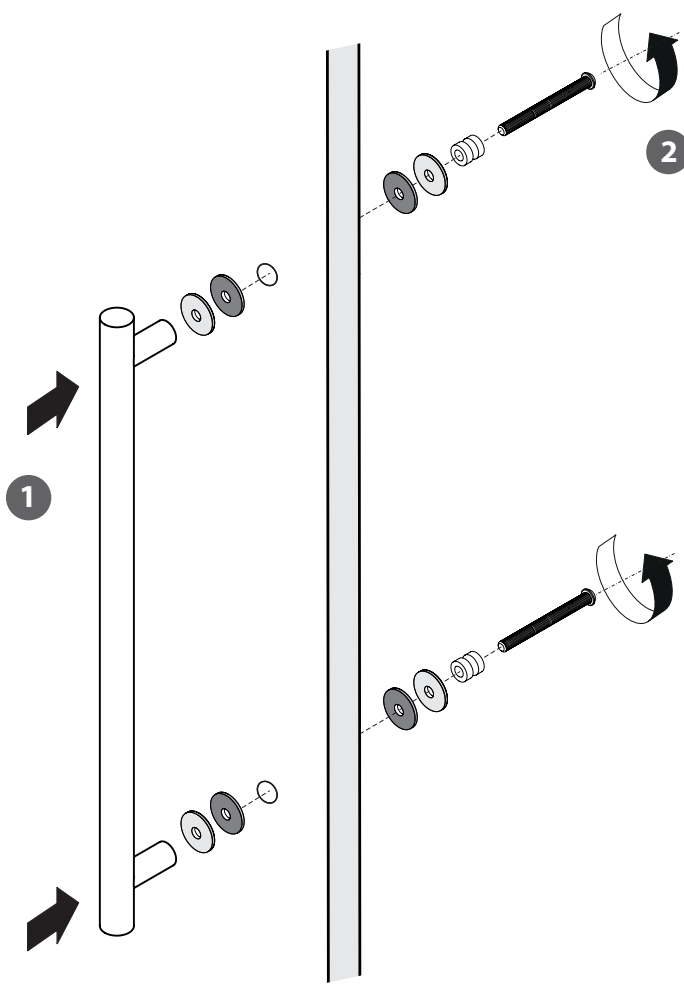
$w \leq 50$

$w = 10-12$

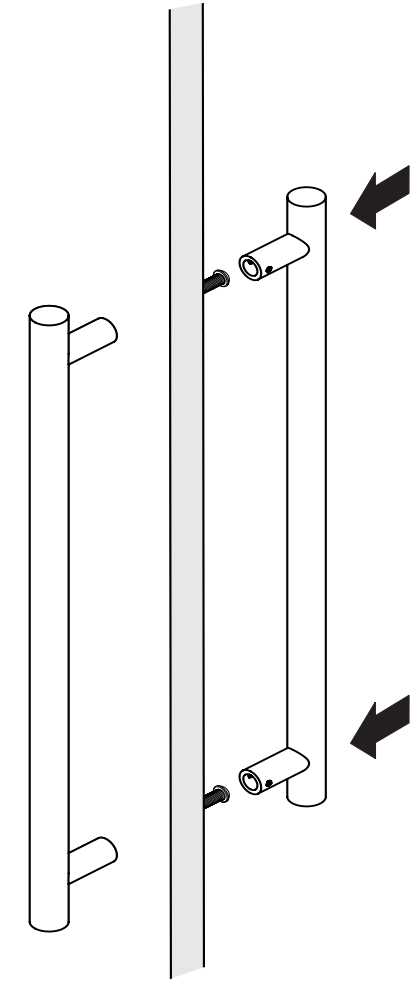
[mm]



1



2



3

